



GB3

3-WAY HIGH PRESSURE BALL VALVES

Edition. 21.2

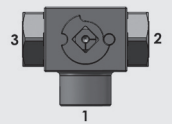
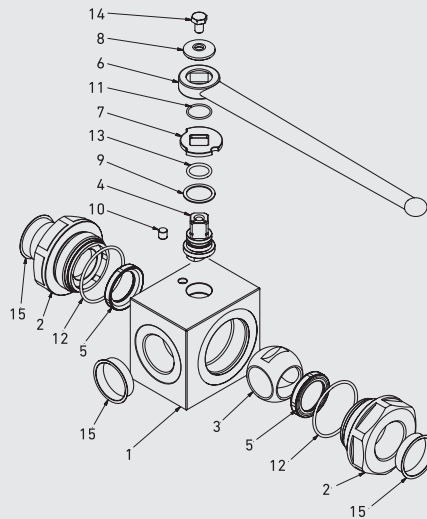
CS Carbon Steel

- Type: ball valve 3 way
- Sizes: from DN32 up to DN50
- Ends: BSP-NPT
- Pressure: up to PN350
- Temp range: from -20°C to +100°C
- Treatment: Galvanized

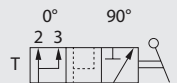
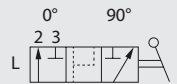
SS Stainless Steel

- Type: ball valve 3 way
- Sizes: from DN32 up to DN50
- Ends: BSP-NPT
- Pressure: up to PN350
- Temp range: from -30°C to +100°C

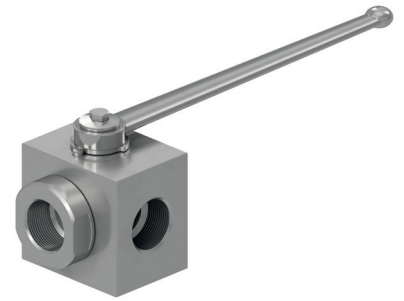
STANDARD COMPOSITION OF VALVE



WARNING!
Pressure inlet only from center port 1



| POS | DESCRIPTION | Q.TY | CS | SS |
|-----|----------------|------|--------------|-----------------|
| | | | Carbon Steel | Stainless Steel |
| | | | MATERIAL | |
| 1 | Body | 1 | 1,0570 | 1,4404 |
| 2 | Adapter | 2 | 1,0570 | 1,4404 |
| 3 | Ball | 1 | 1,0737 | 1,4404 |
| 4 | Stem | 1 | 1,0737 | 1,4404 |
| 5 | Ball seat | 2 | POM | POM |
| 6 | Handle | 1 | 1,0116 | 1,0116 |
| 7 | Washer | 1 | 1,0116 | 1,4404 |
| 8 | Washer | 1 | 1,0116 | 1,4404 |
| 9 | Stem ring | 1 | POM | POM |
| 10 | Pin | 1 | 1,0737 | 1,4404 |
| 11 | Seeger | 1 | 1,4404 | 1,4404 |
| 12 | Adapter o-ring | 4 | NBR | NBR |
| 13 | Stem o-ring | 1 | NBR | NBR |
| 14 | Screw | 1 | ISO4017 8.8 | ISO4017 A4 |
| 15 | Caps | 3 | PVC | PVC |



CODE DESCRIPTION STRUCTURE

| | | | | | | | | |
|------------|---------------|-------------|----------|----------|----------|----------|----------|----------|
| GB3 | G1 1/2 | DN40 | 2 | 2 | 1 | 1 | A | B |
|------------|---------------|-------------|----------|----------|----------|----------|----------|----------|

Type and way of valve

GB3 3-way

Ends

GAS DIN/ NPT ANSI
ISO 228 /ASME
BSP B1.20.1

G1 1/4 N1 1/4
G1 1/2 N1 1/2
G2 N2

Size

from DN32 to DN50

Body Material

- 2 = 1,0570
- 4 = 1,4404

Adapter material

- 2 = 1,0570
- 4 = 1,4404

Stem material

- 1 = 1,0737 4 = 1,4404*
- 4 = 1,4404

Ball Material

- 1 = 1,0737 4 = 1,4404*
- 4 = 1,4404

Seat material

A = POM D = PEEK* G = PA612* K = GEMPTFE* C = PTFE*

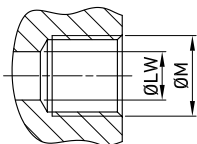
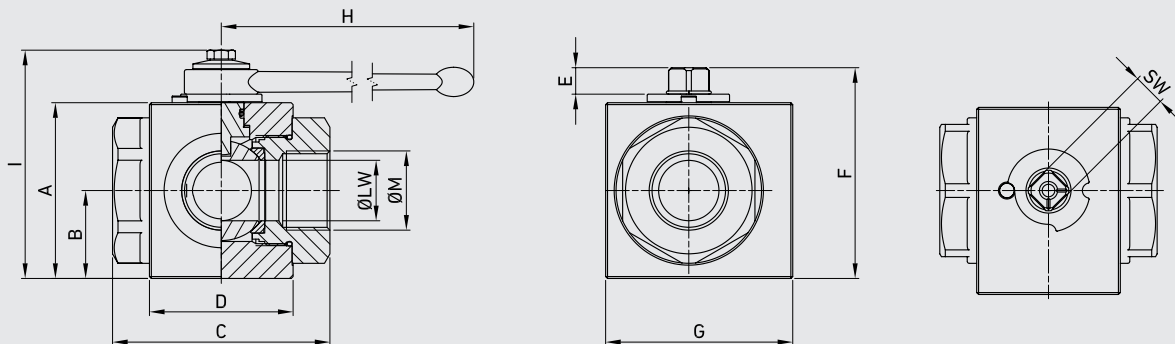
Seal material

B = NBR E = FKM* F = EPDM* L = MVQ*

***On request**

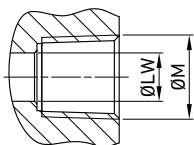
- Reduced bore
- Special threads
- Pressure class up to PN35 MPa
- Pneumatic and electrical actuator
- Locking device

For further special requests please consult our technical/commercial service.



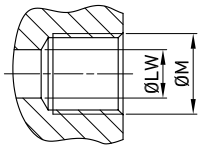
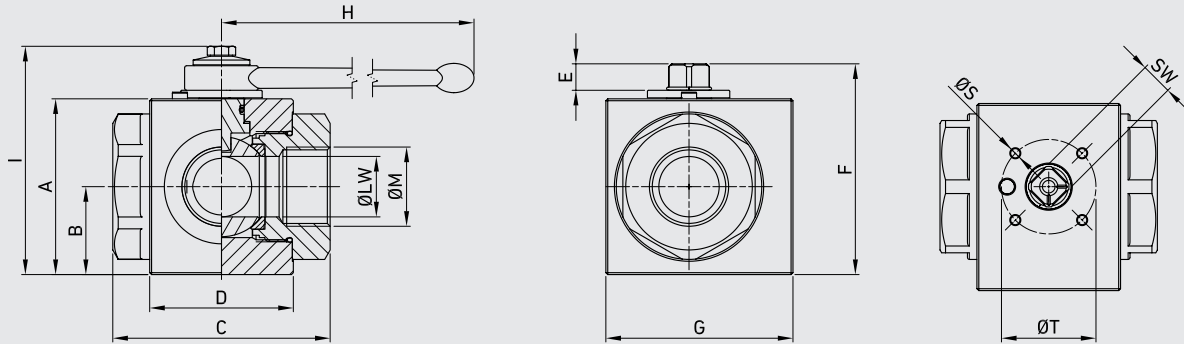
GB3 DIN/ISO 228 BSP

| TYPE | DN | PN | A | B | C | D | E | F | G | H | I | ØM | SW | ØLW | WEIGHT | CS | SS |
|------------|----|----------|-----------|------|------|------|------|-------|------|-------|-------|---------|----|-----|-----------|-----------------|-----------------|
| | | | | | | | | | | | | | | | | Carbon Steel | Stainless Steel |
| | | | | | | | | | | | | | | | | ITEM CODE | |
| GB3 G1 1/4 | 32 | MPa 35 | mm 93 | 46,5 | 115 | 75 | 13,5 | 111,5 | 99 | 300 | 120,5 | G 1 1/4 | 17 | 32 | kg 5,725 | GB3GGT63021A000 | GB3GGT63044A000 |
| | | Psi 5075 | inch 3,66 | 1,83 | 4,53 | 2,95 | 0,53 | 4,39 | 3,90 | 11,81 | 4,74 | | | | | | |
| GB3 G1 1/2 | 40 | MPa 35 | mm 107 | 53,5 | 131 | 85 | 13,5 | 125,5 | 115 | 300 | 134,5 | G 1 1/2 | 17 | 40 | kg 8,632 | GB3GGT73021A000 | GB3GGT73044A000 |
| | | Psi 5075 | inch 4,21 | 2,11 | 5,16 | 3,35 | 0,53 | 4,94 | 4,53 | 11,81 | 5,30 | | | | | | |
| GB3 G 2 | 50 | MPa 35 | mm 114 | 57 | 140 | 98 | 13,5 | 132,5 | 128 | 300 | 141,5 | G 2 | 17 | 50 | kg 10,607 | GB3GGT83021A000 | GB3GGT83044A000 |
| | | Psi 5075 | inch 4,49 | 2,24 | 5,51 | 3,86 | 0,53 | 5,22 | 5,04 | 11,81 | 5,57 | | | | | | |



GB3 ANSI/ASME B1.20.1 NPT

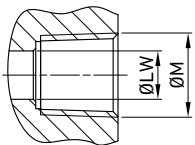
| TYPE | DN | PN | A | B | C | D | E | F | G | H | I | ØM | SW | ØLW | WEIGHT | CS | SS |
|-------------|----|----------|-----------|------|------|------|------|-------|------|-------|-------|---------|----|-----|-----------|-----------------|-----------------|
| | | | | | | | | | | | | | | | | Carbon Steel | Stainless Steel |
| | | | | | | | | | | | | | | | | ITEM CODE | |
| GB3 N 1 1/4 | 32 | MPa 35 | mm 93 | 46,5 | 115 | 75 | 13,5 | 111,5 | 99 | 300 | 120,5 | N 1 1/4 | 17 | 32 | kg 5,725 | GB3NNT63021A000 | GB3NNT63044A000 |
| | | Psi 5075 | inch 3,66 | 1,83 | 4,53 | 2,95 | 0,53 | 4,39 | 3,90 | 11,81 | 4,74 | | | | | | |
| GB3 N 1 1/2 | 40 | MPa 35 | mm 107 | 53,5 | 131 | 85 | 13,5 | 125,5 | 115 | 300 | 134,5 | N 1 1/2 | 17 | 40 | kg 8,632 | GB3NNT73021A000 | GB3NNT73044A000 |
| | | Psi 5075 | inch 4,21 | 2,11 | 5,16 | 3,35 | 0,53 | 4,94 | 4,53 | 11,81 | 5,30 | | | | | | |
| GB3 N 2 | 50 | MPa 35 | mm 114 | 57 | 140 | 98 | 13,5 | 132,5 | 128 | 300 | 141,5 | N 2 | 17 | 50 | kg 10,607 | GB3NNT83021A000 | GB3NNT83044A000 |
| | | Psi 5075 | inch 4,49 | 2,24 | 5,51 | 3,86 | 0,53 | 5,22 | 5,04 | 11,81 | 5,57 | | | | | | |



GB3 DIN/ISO 228 BSP

Assembling threads per ISO5211

| TYPE | DN | PN | Assembling threads per ISO5211 | | | | | | | | | | | | | ITEM CODE | | | | |
|-------------|----|----------|--------------------------------|------|------|------|------|-------|------|-------|-------|-----|----|------|---------|-----------|------|-----------|--------------------|-----------------------|
| | | | A | B | C | D | E | F | G | H | I | ØM | ØS | ØT | ISO5211 | SW | ØLW | WEIGHT | CS Carbon Steel | SS Stainless Steel |
| GB3 G 1 1/4 | 32 | MPa 35 | mm 93 | 46,5 | 115 | 75 | 13,5 | 111,5 | 99 | 300 | 120,5 | G 1 | M6 | 50 | F05 | 17 | 32 | kg 5,725 | GB3GGT63021AF50 | GB3GGT63044AF50 |
| | | Psi 5075 | inch 3,66 | 1,83 | 4,53 | 2,95 | 0,53 | 4,39 | 3,90 | 11,81 | 4,74 | 1/4 | | 1,97 | | 0,67 | 1,26 | lb 12,62 | | |
| GB3 G 1 1/2 | 40 | MPa 35 | mm 107 | 53,5 | 131 | 85 | 13,5 | 125,5 | 115 | 300 | 134,5 | G 1 | M6 | 50 | F05 | 17 | 40 | kg 8,632 | GB3GGT73021AF50 | GB3GGT73044AF50 |
| | | Psi 5075 | inch 4,21 | 2,11 | 5,16 | 3,35 | 0,53 | 4,94 | 4,53 | 11,81 | 5,30 | 1/2 | | 1,97 | | 0,67 | 1,57 | lb 19,03 | | |
| GB3 G 2 | 50 | MPa 35 | mm 114 | 57 | 140 | 98 | 13,5 | 132,5 | 128 | 300 | 141,5 | G 2 | M6 | 50 | F05 | 17 | 50 | kg 10,607 | GB3GGT83021AF50 | GB3GGT83044AF50 |
| | | Psi 5075 | inch 4,49 | 2,24 | 5,51 | 3,86 | 0,53 | 5,22 | 5,04 | 11,81 | 5,57 | | | 1,97 | | 0,67 | 1,97 | lb 23,38 | | |



GB3 ANSI/ASME B1.20.1 NPT

Assembling threads per ISO5211

| TYPE | DN | PN | Assembling threads per ISO5211 | | | | | | | | | | | | | ITEM CODE | | | | |
|-------------|----|----------|--------------------------------|------|------|------|------|-------|------|-------|-------|-----|----|------|---------|-----------|------|-----------|--------------------|-----------------------|
| | | | A | B | C | D | E | F | G | H | I | ØM | ØS | ØT | ISO5211 | SW | ØLW | WEIGHT | CS Carbon Steel | SS Stainless Steel |
| GB3 N 1 1/4 | 32 | MPa 35 | mm 93 | 46,5 | 115 | 75 | 13,5 | 111,5 | 99 | 300 | 120,5 | N 1 | M6 | 50 | F05 | 17 | 32 | kg 5,725 | GB3NNT63021AF50 | GB3NNT63044AF50 |
| | | Psi 5075 | inch 3,66 | 1,83 | 4,53 | 2,95 | 0,53 | 4,39 | 3,90 | 11,81 | 4,74 | 1/4 | | 1,97 | | 0,67 | 1,26 | lb 12,62 | | |
| GB3 N 1 1/2 | 40 | MPa 35 | mm 107 | 53,5 | 131 | 85 | 13,5 | 125,5 | 115 | 300 | 134,5 | N 1 | M6 | 50 | F05 | 17 | 40 | kg 8,632 | GB3NNT73021AF50 | GB3NNT73044AF50 |
| | | Psi 5075 | inch 4,21 | 2,11 | 5,16 | 3,35 | 0,53 | 4,94 | 4,53 | 11,81 | 5,30 | 1/2 | | 1,97 | | 0,67 | 1,57 | lb 19,03 | | |
| GB3 N 2 | 50 | MPa 35 | mm 114 | 57 | 140 | 98 | 13,5 | 132,5 | 128 | 300 | 141,5 | N 2 | M6 | 50 | F05 | 17 | 50 | kg 10,607 | GB3NNT83021AF50 | GB3NNT83044AF50 |
| | | Psi 5075 | inch 4,49 | 2,24 | 5,51 | 3,86 | 0,53 | 5,22 | 5,04 | 11,81 | 5,57 | | | 1,97 | | 0,67 | 1,97 | lb 23,38 | | |