



GHP

2-WAY HIGH PRESSURE BALL VALVES

Edition. 21.1

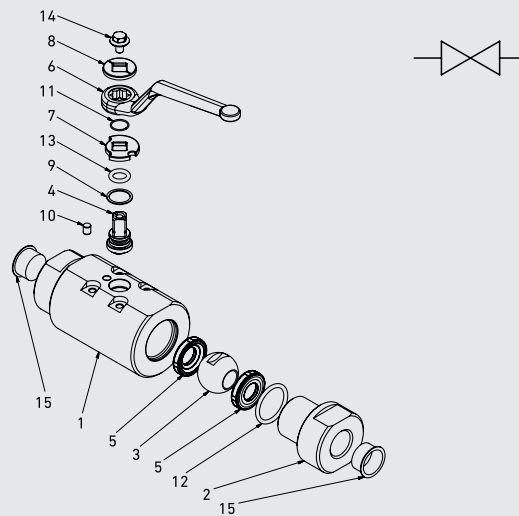
CS Carbon Steel

- Type: ball valve 2 way
- Sizes: from DN13 up to DN100
- Ends: BSP-NPT
- Pressure: up to PN370
- Temp range: from -20°C to +100°C
- Treatment: Galvanized

SS Stainless Steel

- Type: ball valve 2 way
- Sizes: from DN13 up to DN100
- Ends: BSP-NPT
- Pressure: up to PN370
- Temp range: from -30°C to +100°C

STANDARD COMPOSITION OF VALVE



POS	DESCRIPTION	Q.TY	CS	SS
			Carbon Steel	Stainless Steel
			MATERIAL	
1	Body	1	1,0570	1,4404
2	Adapter	1	1,0570	1,4404
3	Ball	1	1,4404	1,4404
4	Stem	1	1,4404	1,4404
5	Ball seat	2	POM	POM
6	Handle	1	ZINC	ZINC
7	Washer	1	1,0116	1,4404
8	Washer	1	1,0116	1,4404
9	Stem ring	1	POM	POM
10	Pin	1	1,0737	1,4404
11	Seeger	1	1,4404	1,4404
12	Adapter o-ring	1	NBR	NBR
13	Stem o-ring	1	NBR	NBR
14	Screw	1	Din 6921 8.8	Din 6921 A4
15	Caps	2	PVC	PVC



CODE DESCRIPTION STRUCTURE

GHP G1 1/2 DN13 2 2 4 4 A B

Type and way of valve

GHP 2-way

Ends

GAS DIN/ NPT ANSI
ISO 228 /ASME
BSP B1.20.1

G 1/2 N 1/2
G 3/4 N 3/4
G 1 N 1
G 1 1/4 N 1 1/4
G 1 1/2 N 1 1/2
G 2 N 2
G 2 1/2 N 2 1/2
G 3 N 3
G 4 N 4

Size

from DN13 to DN100

Body Material

- 2 = 1,0570
- 4 = 1,4404

Adapter material

- 2 = 1,0570
- 4 = 1,4404

Stem material

- 4 = 1,4404 M = 1,4542
- 4 = 1,4404 M = 1,4542

Ball Material

- 4 = 1,4404
- 4 = 1,4404

Seat material

A = POM D = PEEK* G = PA612* K = GEMPTFE* C = PTFE*

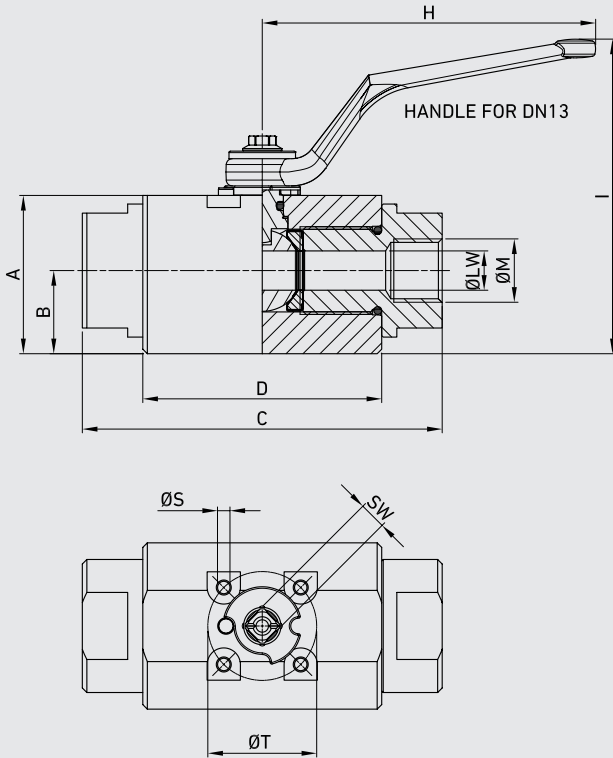
Seal material

B = NBR E = FKM* F = EPDM* L = MVQ*

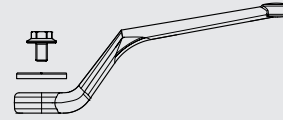
*On request

- Reduced bore
- Special threads
- Pressure class up to PN42 MPa
- Pneumatic and electrical actuator
- Security block
- Locking device

For further special requests please consult our technical/commercial service.



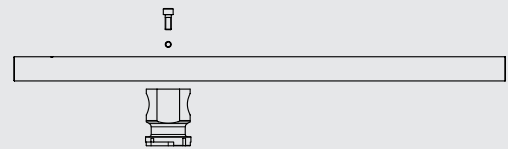
HANDLE FROM DN20 TO DN25



HANDLE FROM DN32 TO DN50



HANDLE FROM DN65 TO DN100
TOTAL LENGTH 650



GHP DIN/ISO 228 BSP

TYPE	DN	PN	A	B	C	D	E	F	ØG	H	I	ØM	ØS	ØT	ISO5211	SW	ØLW	WEIGHT	CS	SS	
																			Carbon Steel	Stainless Steel	
																				ITEM CODE	
GHP G 1/2	13	MPa 37	mm 53	27,5	119	79	11	66,5	55	110	102,5	G	M5	36	F03	9	13	kg 1,81	GH2GGT3H024A000	GH2GGT3H044A000	
		Psi 5365	inch 2,09	1,08	4,69	3,11	0,43	2,62	2,17	4,33	4,04	1/2	M5	1,42	F03	0,35	0,51	lb 3,99			
GHP G 3/4	20	MPa 37	mm 70	38,5	149	99	14	88,6	77	180	118	G	M6	50	F05	14	20	kg 4,378	GH2GGT4H024A000	GH2GGT4H044A000	
		Psi 5365	inch 2,76	1,52	5,87	3,90	0,55	3,49	3,03	7,09	4,65	3/4	M6	1,97	F05	0,55	0,79	lb 9,65			
GHP G 1	25	MPa 37	mm 80,5	45	168	105	14	99	90	180	129	G 1	M6	50	F05	14	25	kg 6,219	GH2GGT5H024A000	GH2GGT5H044A000	
		Psi 5365	inch 3,17	1,77	6,61	4,13	0,55	3,90	3,54	7,09	5,08	G 1	M6	1,97	F05	0,55	0,98	lb 13,71			
GHP G 1 1/4	32	MPa 37	mm 95	48,5	156	106	14	113	97	300	112	G 1	M6	50	F05	17	32	kg 6,74	GH2GGT6H024A000	GH2GGT6H044A000	
		Psi 5365	inch 3,74	1,91	6,14	4,17	0,55	4,45	3,82	11,81	4,41	1/4	M6	1,97	F05	0,67	1,26	lb 14,86			
GHP G 1 1/2	40	MPa 37	mm 111,5	58	166,5	110,5	14	130	116	300	128	G 1	M6	50	F05	17	40	kg 10	GH2GGT7H024A000	GH2GGT7H044A000	
		Psi 5365	inch 4,39	2,28	6,56	4,35	0,55	5,12	4,57	11,81	5,04	1/2	M6	1,97	F05	0,67	1,57	lb 22,05			
GHP G 2	50	MPa 37	mm 118,5	61,5	175	115	14	137	123	300	137	G 2	M6	50	F05	17	49	kg 11,169	GH2GGT8H024A000	GH2GGT8H044A000	
		Psi 5365	inch 4,67	2,42	6,89	4,53	0,55	5,39	4,84	11,81	5,39	G 2	M6	1,97	F05	0,67	1,93	lb 24,62			
GHP G 2 1/2	65	MPa 37	mm 184,5	93,5	211,5	131,5	30,5	223,5	187	600	280	G 2	M10	102	F10	24	63	kg 36,5	GH2GGT9H02NA000	GH2GGT9H04NA000	
		Psi 5365	inch 7,26	3,68	8,33	5,18	1,20	8,80	7,36	23,62	11,02	1/2	M10	4,02	F10	0,94	2,48	lb 80,47			
GHP G 3	80	MPa 37	mm 200	102	239	162,5	30,5	239	204	600	294	G 3	M10	102	F10	24	74	kg 46,5	GH2GGTAH02NA000	GH2GGTAH04NA000	
		Psi 5365	inch 7,87	4,02	9,41	6,40	1,20	9,41	8,03	23,62	11,57	G 3	M10	4,02	F10	0,94	2,91	lb 102,51			
GHP G 4	100	MPa 37	mm 236	120	295,5	218	31	268,5	240	450	316,5	G 4	M10	102	F10	24	95	kg 77	GH2GGTBH02NA000	GH2GGTBH04NA000	
		Psi 5365	inch 9,29	4,72	11,63	8,58	1,22	10,57	9,45	17,72	12,46	G 4	M10	4,02	F10	0,94	3,74	lb 169,76			

GHP ANSI-ASME B1.20.1 NPT

																		CS Carbon Steel	SS Stainless Steel	
																		ITEM CODE		
TYPE	DN	PN	A	B	C	D	E	F	ØG	H	I	ØM	ØS	ØT	ISO5211	SW	ØLW	WEIGHT		
GHP N 1/2	13	MPa 37	mm 53	27,5	119	79	11	66,5	55	110	102,5	N	M5	36	F03	9	13	kg 1,81	GH2NNT3H024A000	GH2NNT3H044A000
		Psi 5365	inch 2,09	1,08	4,69	3,11	0,43	2,62	2,17	4,33	4,04	1/2	M5	1,42	F03	0,35	0,51	lb 3,99		
GHP N 3/4	20	MPa 37	mm 70	38,5	149	99	14	88,6	77	180	118	N	M6	50	F05	14	20	kg 4,378	GH2NNT4H024A000	GH2NNT4H044A000
		Psi 5365	inch 2,76	1,52	5,87	3,90	0,55	3,49	3,03	7,09	4,65	3/4	M6	1,97	F05	0,55	0,79	lb 9,65		
GHP N 1	25	MPa 37	mm 80,5	45	168	105	14	99	90	180	129	N 1	M6	50	F05	14	25	kg 6,219	GH2NNT5H024A000	GH2NNT5H044A000
		Psi 5365	inch 3,17	1,77	6,61	4,13	0,55	3,90	3,54	7,09	5,08	N 1	M6	1,97	F05	0,55	0,98	lb 13,71		
GHP N 1 1/4	32	MPa 37	mm 95	48,5	156	106	14	113	97	300	112	N 1	M6	50	F05	17	32	kg 6,74	GH2NNT6H024A000	GH2NNT6H044A000
		Psi 5365	inch 3,74	1,91	6,14	4,17	0,55	4,45	3,82	11,81	4,41	1/4	M6	1,97	F05	0,67	1,26	lb 14,86		
GHP N 1 1/2	40	MPa 37	mm 111,5	58	166,5	110,5	14	130	116	300	128	N 1	M6	50	F05	17	40	kg 10	GH2NNT7H024A000	GH2NNT7H044A000
		Psi 5365	inch 4,39	2,28	6,56	4,35	0,55	5,12	4,57	11,81	5,04	1/2	M6	1,97	F05	0,67	1,57	lb 22,05		
GHP N 2	50	MPa 37	mm 118,5	61,5	175	115	14	137	123	300	137	N 2	M6	50	F05	17	49	kg 11,169	GH2NNT8H024A000	GH2NNT8H044A000
		Psi 5365	inch 4,67	2,42	6,89	4,53	0,55	5,39	4,84	11,81	5,39	N 2	M6	1,97	F05	0,67	1,93	lb 24,62		
GHP N 2 1/2	65	MPa 37	mm 184,5	93,5	211,5	131,5	30,5	223,5	187	600	280	N 2	M10	102	F10	24	63	kg 36,5	GH2NNT9H02NA000	GH2NNT9H04NA000
		Psi 5365	inch 7,26	3,68	8,33	5,18	1,20	8,80	7,36	23,62	11,02	1/2	M10	4,02	F10	0,94	2,48	lb 80,47		
GHP N 3	80	MPa 37	mm 200	102	239	162,5	30,5	239	204	600	294	N 3	M10	102	F10	24	74	kg 46,5	GH2NNTAH02NA000	GH2NNTAH04NA000
		Psi 5365	inch 7,87	4,02	9,41	6,40	1,20	9,41	8,03	23,62	11,57	N 3	M10	4,02	F10	0,94	2,91	lb 102,51		
GHP N 4	100	MPa 37	mm 236	120	295,5	218	31	268,5	240	450	316,5	N 4	M10	102	F10	24	95	kg 77	GH2NNTBH02NA000	GH2NNTBH04NA000
		Psi 5365	inch 9,29	4,72	11,63	8,58	1,22	10,57	9,45	17,72	12,46	N 4	M10	4,02	F10	0,94	3,74	lb 169,76		