



# SBT

## SPLIT BODY TRUNNION

Edition. 21.0

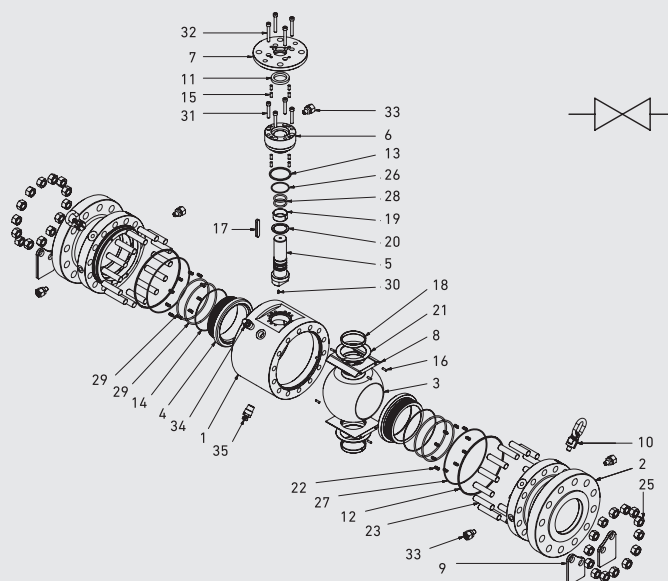
### CS Carbon Steel

- Treatment: Paint protection

### SS Stainless Steel

- **CS, SS, DSS, ALLOY (Forged)**
- Type: ball valve Split Body Trunnion
- Sizes: from DN20 up to DN900
- Pressure: ANSI 150-2500
- Temperature: from -50° up to +200° (depending on materials selected)

### STANDARD COMPOSITION OF VALVE



POS	DESCRIPTION	CS	SS
		Carbon Steel	Stainless Steel
MATERIAL			
1	Body	ASTM A350 LF2	ASTM A182 F316
2	Clousure	ASTM A350 LF2	ASTM A182 F316
3	Ball	ASTM A182 F316	ASTM A182 F316
4	Seat	ASTM A479 Tp.316/RPTFE	ASTM A479 Tp.316/RPTFE
5	Stem	ASTM A479 Tp.316	ASTM A479 Tp.316
6	Bonnet	ASTM A350 LF2	ASTM A479 Tp.316
7	Cover Plate	ASTM A350 LF2	ASTM A479 Tp.316
8	Spacer	ASTM A516 Gr.70	ASTM A240 Tp.316
9	Valve Support	ASTM A516 Gr.70	ASTM A516 Gr.70
10	Eyebolt	Gr.80	Gr.80
11	Stem Gasket	Graphite	Graphite
12	Seat Gasket	Graphite	Graphite
13	Body/Bonnet Gasket S.W.T.	Graphite+316L	Graphite+316L
14	Body/Flange Gasket S.W.T.	Graphite+316L	Graphite+316L
15	Body/Bonnet/Cover Pin	100Cr6	100Cr6
16	Spacer Pin	100Cr6	100Cr6
17	Stem Key	C70	C70
18	Ball Bushing	AISI 316 + N.F.C.	AISI 316 + N.F.C.

POS	DESCRIPTION	CS	SS
		Carbon Steel	Stainless Steel
MATERIAL			
19	Stem Bushing	AISI 316 + N.F.C.	AISI 316 + N.F.C.
20	Stem Thrust Washer	AISI 316 + N.F.C.	AISI 316 + N.F.C.
21	Ball Thrust Washer	AISI 316 + N.F.C.	AISI 316 + N.F.C.
22	Spring Inconel	INCONEL X750	INCONEL X750
23	Stud	ASTM A320 L7M	ASTM A193 B8M CL2
24	Support/Lifting Lug Stud	ASTM A320 L7M	ASTM A193 B8M CL2
25	Nut	ASTM A194 Gr.7M	ASTM A194 Gr.8M
26	Body/Bonnet o-ring	FKM	FKM
27	Body/Flange o-ring	FKM	FKM
28	Stem o-ring	FKM	FKM
29	Seat o-ring	FKM	FKM
30	Antistatic Device	INCONEL X750	ASTM A479 Tp.316
31	Bonnet T.C.E.I.	ASTM A320 L7M	ASTM A193 B8M CL2
32	Cover Plate T.C.E.I.	ASTM A320 L7M	ASTM A193 B8M CL2
33	Stem Injection	ASTM A479 Tp.316	ASTM A479 Tp.316
34	Drain Plug	ASTM A479 Tp.316	ASTM A479 Tp.316
35	Vent Bleeder	ASTM A479 Tp.316	ASTM A479 Tp.316



ALSO AVAILABLE IN FULLY WELDED VERSION

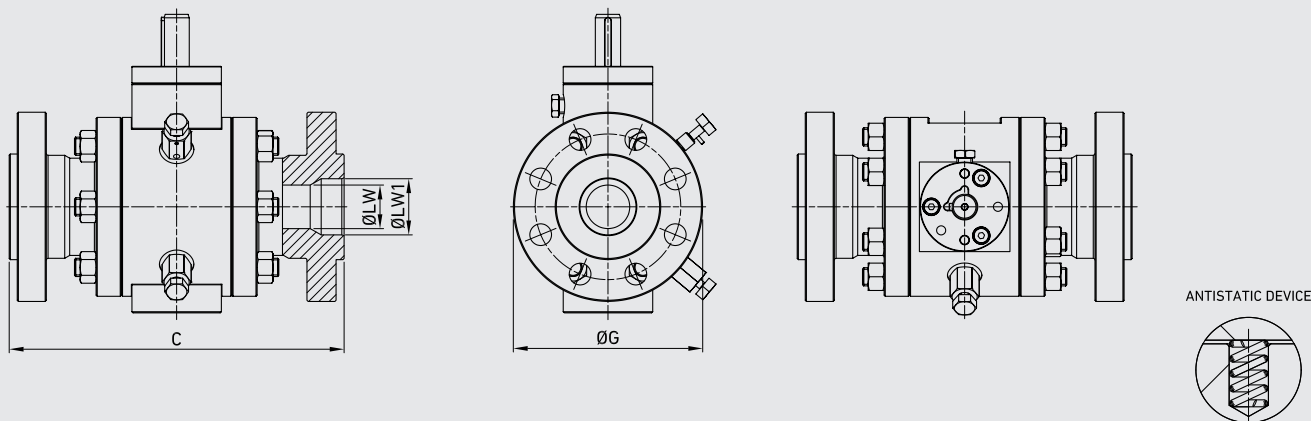
## CODE DESCRIPTION STRUCTURE

SBT	ANSI600	3/4"	DN50	FB	LF2	F316	RPTFE	FKM	RF
<b>Type and way of valve</b> _____ SBT Split body trunnion bolted body									
<b>Valves dimension of pressure (LBS)</b> _____ ANSI150 ANSI300 ANSI600 ANSI900 ANSI1500 ANSI2500									
<b>Sizes</b> _____ from 3/4" to 36"									
<b>Sizes</b> _____ from DN20 to DN900									
<b>Bore</b> _____ FB full bore RB reduce bore									
<b>Body material</b> _____ ● A105* LF2 ● F316									
<b>Stem material</b> _____ ● F316 F51* ● F316 F51*									
<b>Ball seat material</b> _____ RPTFE PEEK* NYLON* DEVLON* MET-TO-MET*									
<b>Adapter and stem seal material</b> _____ FKM NBR* EPDM* MVQ*									
<b>Flanged</b> _____ RF RTJ* BW* FF*									

\*On request

- Lever
- Gear
- Pneumatic and electrical actuator
- Locking device

For further special requests please consult our technical/commercial service.



SBT ANSI 150 FB

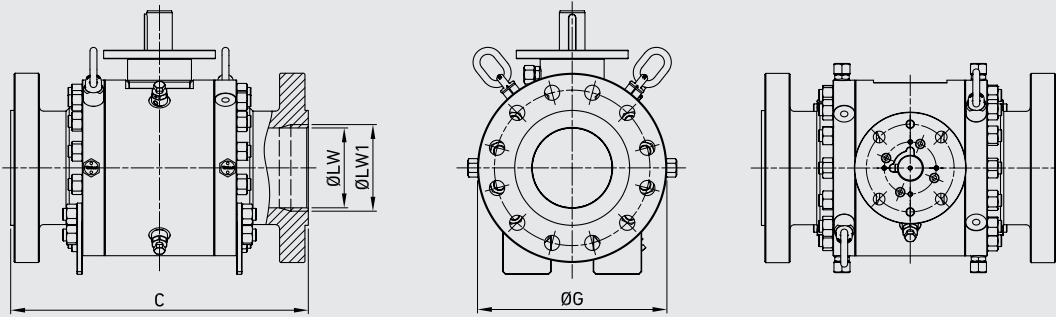
TYPE	INCH	PN	ØLW	ØLW1	C RF	C RTJ	ØG
SBT A150	2	MPa 2	mm 49	-	178	191	150
		Psi 290	inch 1,93	-	7,01	7,52	5,91
SBT A150	2 1/2	MPa 2	mm 62	-	191	203	180
		Psi 290	inch 2,44	-	7,52	7,99	7,09
SBT A150	3	MPa 2	mm 74	-	203	216	190,5
		Psi 290	inch 2,91	-	7,99	8,50	7,50
SBT A150	4	MPa 2	mm 100	-	229	241	229
		Psi 290	inch 3,94	-	9,02	9,49	9,02

SBT ANSI 150 RB

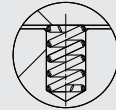
TYPE	INCH	PN	ØLW	ØLW1	C RF	C RTJ	ØG
SBT A150	2x1 1/2	MPa 2	mm 38	49	178	191	150
		Psi 290	inch 1,50	1,93	7,01	7,52	5,91
SBT A150	3x2	MPa 2	mm 49	74	203	216	190
		Psi 290	inch 1,93	2,91	7,99	8,50	7,48
SBT A150	4x3	MPa 2	mm 74	100	229	241	229
		Psi 290	inch 2,91	3,94	9,02	9,49	9,02
SBT A150	6x4	MPa 2	mm 100	150	394	406	280
		Psi 290	inch 3,94	5,91	15,51	15,98	11,02

SPLIT BODY

COMPONENTS	MATERIAL	MIN / MAX TEMP.	PROVISIONS
BODY AND FLANGE	ASTM A105	-20°+120°	<ul style="list-style-type: none"> <li>• API 6D Specification for pipeline valves</li> <li>• API 598 Valve inspection and test</li> <li>• ASME B.16.34 Steel valves Flanged and butt welding ends</li> <li>• ASME B16.5 Steel pipe flanges and flanged fittings</li> <li>• ASME B16.10 Face to face and end to end dimensions of ferrous valves</li> <li>• ASTM American society for testing materials</li> <li>• BS 6755 Testing of valves</li> <li>• NACE MR-01 -75 Sulfide stress cracking resistant metallic materials or oil field equipment</li> <li>• UNI EN ISO 9001 quality system</li> <li>• DIN/ISO 5211 for mounting</li> <li>• BS 5351 steel ball valves for the petroleum, petrochemical and allied industries</li> </ul>
	ASTM A105N	-29°+120°	
	ASTM A182 F316	-60°+230°	
	ASTM A350 LF2	-40°+100°	
STEM	ASTM A479 TP316	-60°+230°	
BALL	ASTM A182 F316	-60°+230°	
STEM SEALS	PTFE	-196°+230	
	GRAPHITE		
	RPTFE	-196°+230°	
BALL SEATS	PEEK	-50°+250°	
	NYLON	-40°+90°	
	DEVLON	-40°+150°	
	METAL-TO-METAL	-60°+230°	
O-RING	NBR	-30°+100°	
	FKM	-40°+200°	
	EPDM	-50°+150°	
	MVQ	-50°+150°	
STUD/NUT	ASTM A193 B7/GR. 2H		
	ASTM A 193 B8/GR. 8		
	ASTM A320 L7/GR. 7		


**ALSO AVAILABLE IN  
FULLY WELDED VERSION**

ANTISTATIC DEVICE


**SBT ANSI 150 FB**

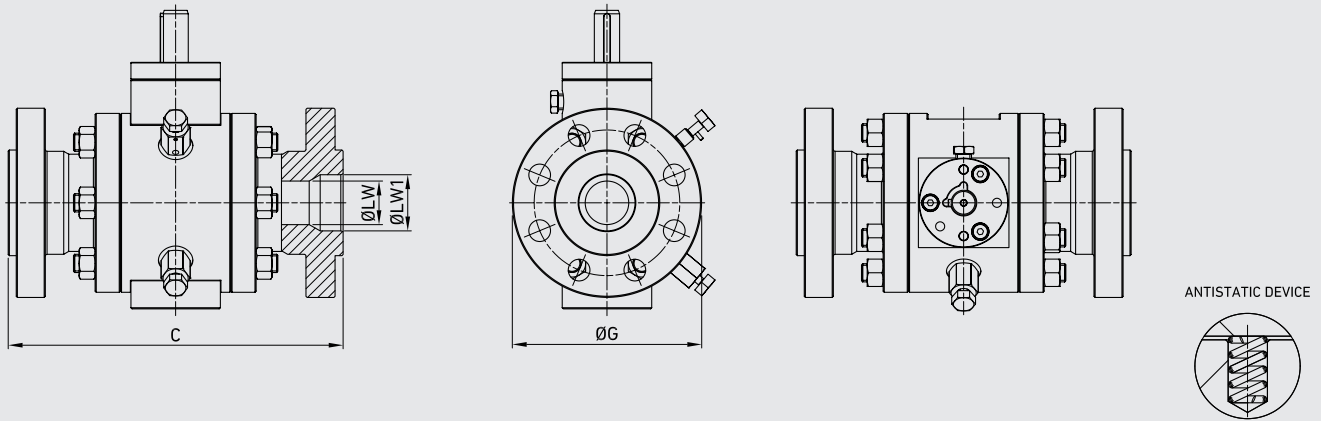
TYPE	INCH	PN	ØLW	ØLW1	C RF	C RTJ	ØG
SBT A150	6	MPa 2	mm 150	-	394	406	280
		Psi 290	inch 5,91	-	15,51	15,98	11,02
SBT A150	8	MPa 2	mm 201	-	457	470	345
		Psi 290	inch 7,91	-	17,99	18,50	13,58
SBT A150	10	MPa 2	mm 252	-	533	546	405
		Psi 290	inch 9,92	-	20,98	21,50	15,94
SBT A150	12	MPa 2	mm 303	-	610	622	485
		Psi 290	inch 11,93	-	24,02	699,00	19,09
SBT A150	14	MPa 2	mm 334	-	689	699	533,5
		Psi 290	inch 13,15	-	27,13	27,52	21,00
SBT A150	16	MPa 2	mm 385	-	762	775	597
		Psi 290	inch 15,16	-	30,00	30,51	23,50
SBT A150	18	MPa 2	mm 436	-	864	876	635
		Psi 290	inch 17,17	-	34,02	34,49	25,00
SBT A150	20	MPa 2	mm 487	-	914	927	698,5
		Psi 290	inch 19,17	-	35,98	36,50	27,50
SBT A150	22	MPa 2	mm 538	-	-	-	750*
		Psi 290	inch 21,18	-	-	-	29,53
SBT A150	24	MPa 2	mm 589	-	1067	1080	813
		Psi 290	inch 23,19	-	42,01	42,52	32,01
SBT A150	26	MPa 2	mm 635	-	1143	-	-
		Psi 290	inch 25,00	-	45,00	-	-
SBT A150	28	MPa 2	mm 686	-	1245	-	-
		Psi 290	inch 27,01	-	49,02	-	-
SBT A150	30	MPa 2	mm 737	-	1295	-	-
		Psi 290	inch 29,02	-	50,98	-	-
SBT A150	32	MPa 2	mm 781	-	1372	-	-
		Psi 290	inch 30,75	-	54,02	-	-
SBT A150	34	MPa 2	mm 832	-	1473	-	-
		Psi 290	inch 32,76	-	57,99	-	-
SBT A150	36	MPa 2	mm 876	-	1524	-	-
		Psi 290	inch 34,49	-	60,00	-	-

\*According to MSS SP44

**SBT ANSI 150 RB**

TYPE	INCH	PN	ØLW	ØLW1	C RF	C RTJ	ØG
SBT A150	8x6	MPa 2	mm 150	201	457	470	345
		Psi 290	inch 5,91	7,91	17,99	18,50	13,58
SBT A150	10x8	MPa 2	mm 201	252	533	546	405
		Psi 290	inch 7,91	9,92	20,98	21,50	15,94
SBT A150	12x10	MPa 2	mm 252	303	610	622	485
		Psi 290	inch 9,92	11,93	24,02	24,49	19,09
SBT A150	14x10	MPa 2	mm 252	334	689	699	533,5
		Psi 290	inch 9,92	13,15	27,13	27,52	21,00
SBT A150	16x12	MPa 2	mm 303	385	762	775	597
		Psi 290	inch 11,93	15,16	30,00	30,51	23,50
SBT A150	18x14	MPa 2	mm 334	436	864	876	635
		Psi 290	inch 13,15	17,17	34,02	34,49	25,00
SBT A150	20x16	MPa 2	mm 385	487	914	927	698,5
		Psi 290	inch 15,16	19,17	35,98	36,50	27,50
SBT A150	24x20	MPa 2	mm 487	589	1067	1080	813
		Psi 290	inch 19,17	23,19	42,01	42,52	32,01
SBT A150	28x24	MPa 2	mm 589	684	1245	-	925*
		Psi 290	inch 23,19	26,93	49,02	-	36,42
SBT A150	30x24	MPa 2	mm 591	737	1295	-	-
		Psi 290	inch 23,27	29,02	50,98	-	-
SBT A150	36x30	MPa 2	mm 737	876	1524	-	-
		Psi 290	inch 29,02	34,49	60,00	-	-

\*According to MSS SP44

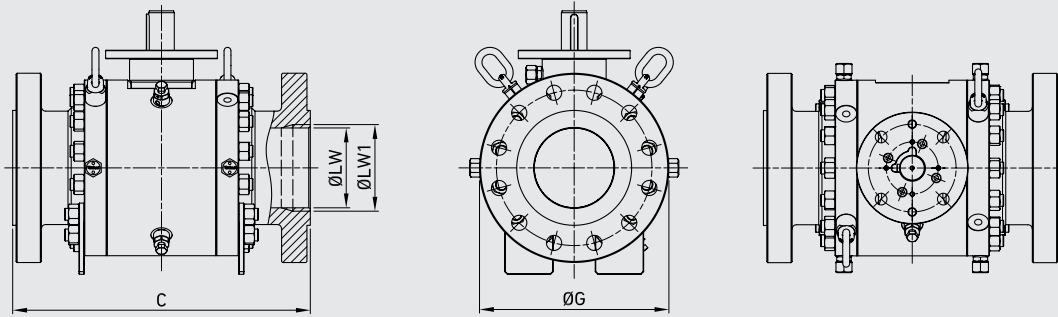


SBT ANSI 300 FB

TYPE	INCH	PN	ØLW	ØLW1	C RF	C RTJ	ØG
SBT A300	2	MPa 5	mm 49	-	216	232	165
		Psi 725	inch 1,93	-	8,50	9,13	6,50
SBT A300	2 1/2	MPa 5	mm 62	-	241	257	190
		Psi 725	inch 2,44	-	9,49	10,12	7,48
SBT A300	3	MPa 5	mm 74	-	283	298	210
		Psi 725	inch 2,91	-	11,14	11,73	8,27
SBT A300	4	MPa 5	mm 100	-	305	321	255
		Psi 725	inch 3,94	-	12,01	12,64	10,04

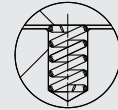
SBT ANSI 300 RB

TYPE	INCH	PN	ØLW	ØLW1	C RF	C RTJ	ØG
SBT A300	2x1 1/2	MPa 5	mm 38	49	216	232	165
		Psi 725	inch 1,50	1,93	8,50	9,13	6,50
SBT A300	3x2	MPa 5	mm 49	74	283	298	210
		Psi 725	inch 1,93	2,91	11,14	11,73	8,27
SBT A300	4x3	MPa 5	mm 74	100	305	321	255
		Psi 725	inch 2,91	3,94	12,01	12,64	10,04
SBT A300	6x4	MPa 5	mm 100	150	403	419	320
		Psi 725	inch 3,94	5,91	15,87	16,50	12,60



**ALSO AVAILABLE IN  
FULLY WELDED VERSION**

ANTISTATIC DEVICE



### SBT ANSI 300 FB

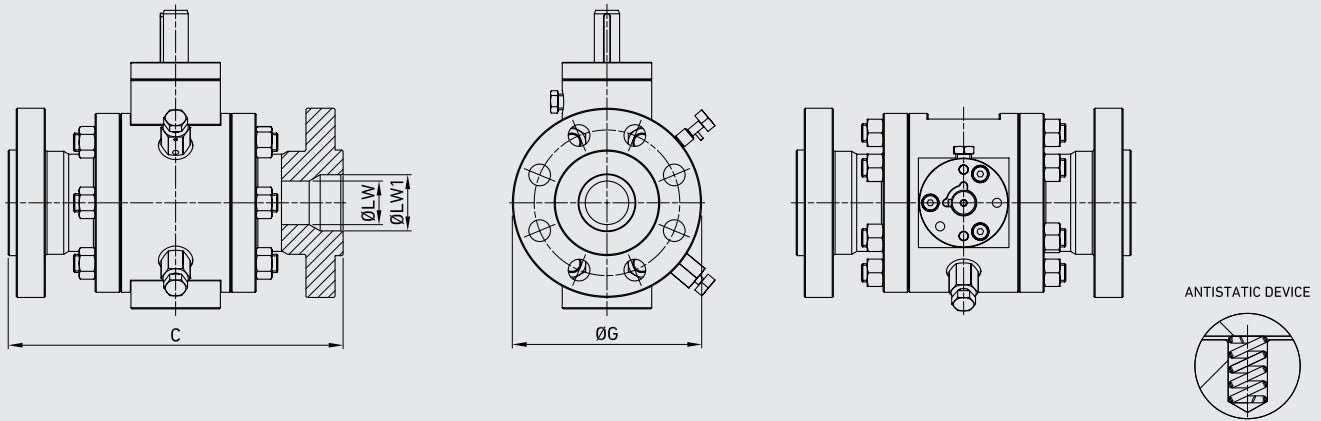
TYPE	INCH	PN	ØLW	ØLW1	C RF	C RTJ	ØG
SBT A300	6	MPa 5	mm 150	-	403	419	320
		Psi 725	inch 5,91	-	15,87	16,50	12,60
SBT A300	8	MPa 5	mm 201	-	502	518	380
		Psi 725	inch 7,91	-	19,76	20,39	14,96
SBT A300	10	MPa 5	mm 252	-	568	584	445
		Psi 725	inch 9,92	-	22,36	22,99	17,52
SBT A300	12	MPa 5	mm 303	-	648	664	520
		Psi 725	inch 11,93	-	25,51	26,14	20,47
SBT A300	14	MPa 5	mm 334	-	762	778	584,5
		Psi 725	inch 13,15	-	30,00	30,63	23,01
SBT A300	16	MPa 5	mm 385	-	838	854	648
		Psi 725	inch 15,16	-	32,99	33,62	25,51
SBT A300	18	MPa 5	mm 436	-	914	930	711,5
		Psi 725	inch 17,17	-	35,98	36,61	28,01
SBT A300	20	MPa 5	mm 487	-	991	1010	775
		Psi 725	inch 19,17	-	39,02	39,76	30,51
SBT A300	22	MPa 5	mm 538	-	1092	1114	840*
		Psi 725	inch 21,18	-	42,99	43,86	33,07
SBT A300	24	MPa 5	mm 589	-	1143	1165	914,5
		Psi 725	inch 23,19	-	45,00	45,87	36,00
SBT A300	26	MPa 5	mm 635	-	1245	1270	-
		Psi 725	inch 25,00	-	49,02	50,00	-
SBT A300	28	MPa 5	mm 686	-	1346	1372	-
		Psi 725	inch 27,01	-	52,99	54,02	-
SBT A300	30	MPa 5	mm 737	-	1397	1422	-
		Psi 725	inch 29,02	-	55,00	55,98	-
SBT A300	32	MPa 5	mm 781	-	1524	1553	-
		Psi 725	inch 30,75	-	60,00	61,14	-
SBT A300	34	MPa 5	mm 832	-	1626	1654	-
		Psi 725	inch 32,76	-	64,02	65,12	-
SBT A300	36	MPa 5	mm 876	-	1727	1756	-
		Psi 725	inch 34,49	-	67,99	69,13	-

\*According to MSS SP44

### SBT ANSI 300 RB

TYPE	INCH	PN	ØLW	ØLW1	C RF	C RTJ	ØG
SBT A300	8x6	MPa 5	mm 150	201	502	518	380
		Psi 725	inch 5,91	7,91	19,76	20,39	14,96
SBT A300	10x8	MPa 5	mm 201	252	568	584	445
		Psi 725	inch 7,91	9,92	22,36	22,99	17,52
SBT A300	12x10	MPa 5	mm 252	303	648	664	520
		Psi 725	inch 9,92	11,93	25,51	26,14	20,47
SBT A300	14x10	MPa 5	mm 252	334	762	778	584,5
		Psi 725	inch 9,92	13,15	30,00	30,63	23,01
SBT A300	16x12	MPa 5	mm 303	385	838	854	648
		Psi 725	inch 11,93	15,16	32,99	33,62	25,51
SBT A300	18x14	MPa 5	mm 334	436	914	930	711,5
		Psi 725	inch 13,15	17,17	35,98	36,61	28,01
SBT A300	20x16	MPa 5	mm 385	487	991	1010	775
		Psi 725	inch 15,16	19,17	39,02	39,76	30,51
SBT A300	24x20	MPa 5	mm 487	589	1143	1165	914,5
		Psi 725	inch 19,17	23,19	45,00	45,87	36,00
SBT A300	28x24	MPa 5	mm 589	684	1346	1372	1035*
		Psi 725	inch 23,19	26,93	52,99	54,02	40,75
SBT A300	30x24	MPa 5	mm 591	737	1397	1422	-
		Psi 725	inch 23,27	29,02	55,00	55,98	-
SBT A300	36x30	MPa 5	mm 737	876	1727	1756	-
		Psi 725	inch 29,02	34,49	67,99	69,13	-

\*According to MSS SP44

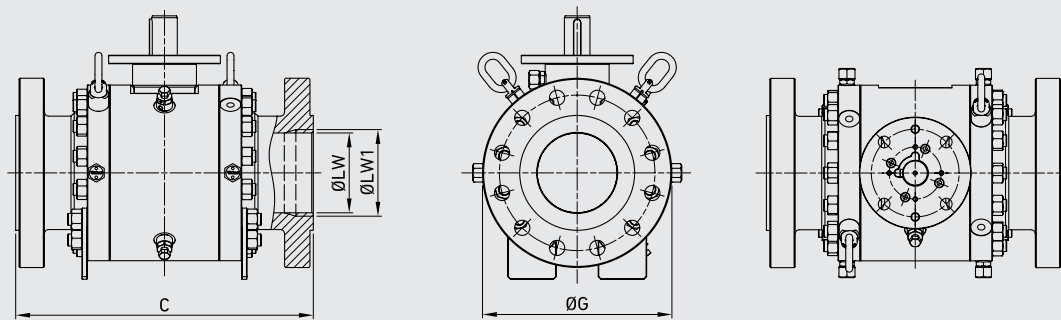


SBT ANSI 600 FB

TYPE	INCH	PN	ØLW	ØLW1	C RF	C RTJ	ØG
SBT A600	2	MPa 10	mm 49	-	292	295	165
		Psi 1450	inch 1,93	-	11,50	11,61	6,50
SBT A600	2 1/2	MPa 10	mm 62	-	330	333	190
		Psi 1450	inch 2,44	-	12,99	13,11	7,48
SBT A600	3	MPa 10	mm 74	-	356	359	210
		Psi 1450	inch 2,91	-	14,02	14,13	8,27
SBT A600	4	MPa 10	mm 100	-	432	435	275
		Psi 1450	inch 3,94	-	17,01	17,13	10,83

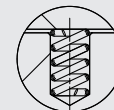
SBT ANSI 600 RB

TYPE	INCH	PN	ØLW	ØLW1	C RF	C RTJ	ØG
SBT A600	2x1 1/2	MPa 10	mm 38	49	292	295	165
		Psi 1450	inch 1,50	1,93	11,50	11,61	6,50
SBT A600	3x2	MPa 10	mm 49	74	356	359	210
		Psi 1450	inch 1,93	2,91	14,02	14,13	8,27
SBT A600	4x3	MPa 10	mm 74	100	432	435	275
		Psi 1450	inch 2,91	3,94	17,01	17,13	10,83
SBT A600	6x4	MPa 10	mm 100	150	559	562	355
		Psi 1450	inch 3,94	5,91	22,01	22,13	13,98



**ALSO AVAILABLE IN  
FULLY WELDED VERSION**

ANTISTATIC DEVICE



### SBT ANSI 600 FB

TYPE	INCH	PN	ØLW	ØLW1	C RF	C RTJ	ØG
SBT A600	6	MPa 10	mm 150	-	559	562	35
		Psi 1450	inch 5,91	-	22,01	22,13	1,38
SBT A600	8	MPa 10	mm 201	-	660	664	420
		Psi 1450	inch 7,91	-	25,98	26,14	16,54
SBT A600	10	MPa 10	mm 252	-	787	791	510
		Psi 1450	inch 9,92	-	30,98	31,14	20,08
SBT A600	12	MPa 10	mm 303	-	838	841	560
		Psi 1450	inch 11,93	-	32,99	33,11	22,05
SBT A600	14	MPa 10	mm 334	-	889	892	603,5
		Psi 1450	inch 13,15	-	35,00	35,12	23,76
SBT A600	16	MPa 10	mm 385	-	991	994	686
		Psi 1450	inch 15,16	-	39,02	39,13	27,01
SBT A600	18	MPa 10	mm 436	-	1092	1095	743
		Psi 1450	inch 17,17	-	42,99	43,11	29,25
SBT A600	20	MPa 10	mm 487	-	1194	1200	813
		Psi 1450	inch 19,17	-	47,01	47,24	32,01
SBT A600	22	MPa 10	mm 538	-	1295	1305	870*
		Psi 1450	inch 21,18	-	50,98	51,38	34,25
SBT A600	24	MPa 10	mm 589	-	1397	1407	940
		Psi 1450	inch 23,19	-	55,00	55,39	37,01
SBT A600	26	MPa 10	mm 635	-	1448	1461	-
		Psi 1450	inch 25,00	-	57,01	57,52	-
SBT A600	28	MPa 10	mm 686	-	1549	1562	-
		Psi 1450	inch 27,01	-	60,98	61,50	-
SBT A600	30	MPa 10	mm 737	-	1651	1664	-
		Psi 1450	inch 29,02	-	65,00	65,51	-
SBT A600	32	MPa 10	mm 781	-	1778	1794	-
		Psi 1450	inch 30,75	-	70,00	70,63	-
SBT A600	34	MPa 10	mm 832	-	1930	1946	-
		Psi 1450	inch 32,76	-	75,98	76,61	-
SBT A600	36	MPa 10	mm 876	-	2083	2099	-
		Psi 1450	inch 34,49	-	82,01	82,64	-

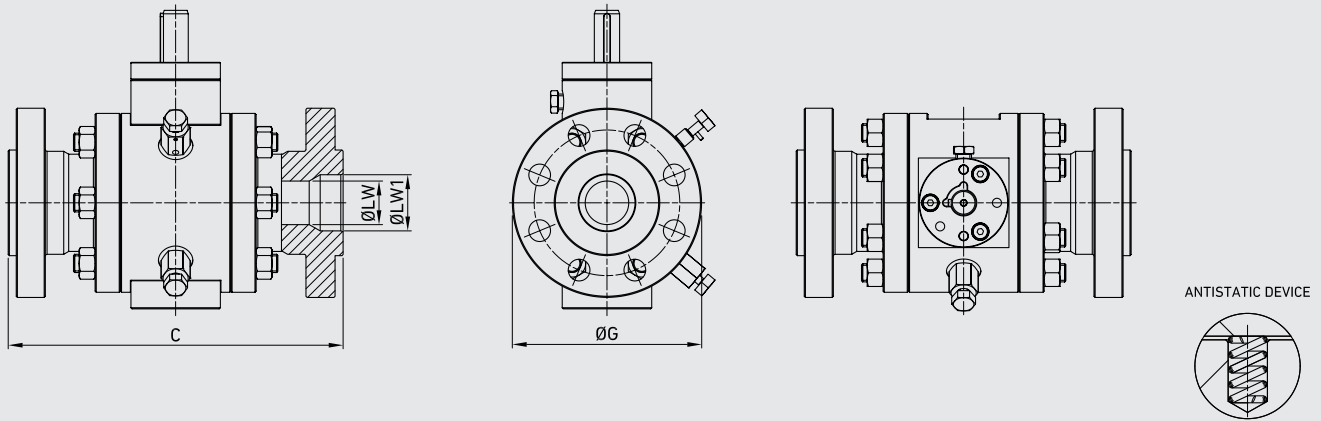
\*According to MSS SP44

### SBT ANSI 600 RB

TYPE	INCH	PN	ØLW	ØLW1	C RF	C RTJ	ØG
SBT A600	8x6	MPa 10	mm 150	201	660	664	420
		Psi 1450	inch 5,91	7,91	25,98	26,14	16,54
SBT A600	10x8	MPa 10	mm 201	252	787	791	510
		Psi 1450	inch 7,91	9,92	30,98	31,14	20,08
SBT A600	12x10	MPa 10	mm 252	303	838	841	560
		Psi 1450	inch 9,92	11,93	32,99	33,11	22,05
SBT A600	14x10	MPa 10	mm 252	334	889	892	603,5
		Psi 1450	inch 9,92	13,15	35,00	35,12	23,76
SBT A600	16x12	MPa 10	mm 303	385	991	994	686
		Psi 1450	inch 11,93	15,16	39,02	39,13	27,01
SBT A600	18x14	MPa 10	mm 334	436	1092	1095	743
		Psi 1450	inch 13,15	17,17	42,99	43,11	29,25
SBT A600	20x16	MPa 10	mm 385	487	1194	1200	813
		Psi 1450	inch 15,16	19,17	47,01	47,24	32,01
SBT A600	24x20	MPa 10	mm 487	589	1397	1407	940
		Psi 1450	inch 19,17	23,19	55,00	55,39	37,01
SBT A600	28x24	MPa 10	mm 589	684	1549	1562	1075*
		Psi 1450	inch 23,19	26,93	60,98	61,50	42,32
SBT A600	30x24	MPa 10	mm 591	737	1651	1664	-
		Psi 1450	inch 23,27	29,02	65,00	65,51	-
SBT A600	36x30	MPa 10	mm 737	876	2083	2099	-
		Psi 1450	inch 29,02	34,49	82,01	82,64	-

\*According to MSS SP44



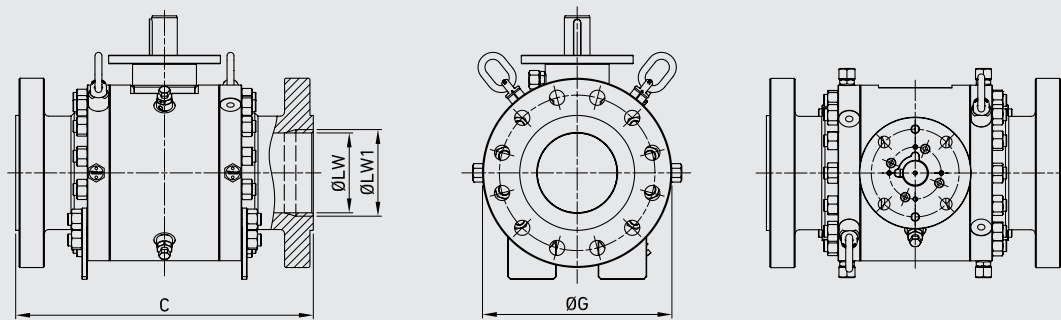


SBT ANSI 900 FB

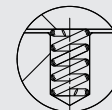
TYPE	INCH	PN	ØLW	ØLW1	C RF	C RTJ	ØG
SBT A900	2	MPa 15	mm 49	-	368	371	215
		Psi 2175	inch 1,93	-	14,49	14,61	8,46
SBT A900	2 1/2	MPa 15	mm 62	-	419	422	245
		Psi 2175	inch 2,44	-	16,50	16,61	9,65
SBT A900	3	MPa 15	mm 74	-	381	384	240
		Psi 2175	inch 2,91	-	15,00	15,12	9,45
SBT A900	4	MPa 15	mm 100	-	457	460	290
		Psi 2175	inch 3,94	-	17,99	18,11	11,42

SBT ANSI 900 RB

TYPE	INCH	PN	ØLW	ØLW1	C RF	C RTJ	ØG
SBT A900	2x1 1/2	MPa 15	mm 38	49	368	371	215
		Psi 2175	inch 1,50	1,93	14,49	14,61	8,46
SBT A900	3x2	MPa 15	mm 49	74	381	384	240
		Psi 2175	inch 1,93	2,91	15,00	15,12	9,45
SBT A900	4x3	MPa 15	mm 74	100	457	460	290
		Psi 2175	inch 2,91	3,94	17,99	18,11	11,42
SBT A900	6x4	MPa 15	mm 100	150	610	613	380
		Psi 2175	inch 3,94	5,91	24,02	24,13	14,96


**ALSO AVAILABLE IN  
FULLY WELDED VERSION**

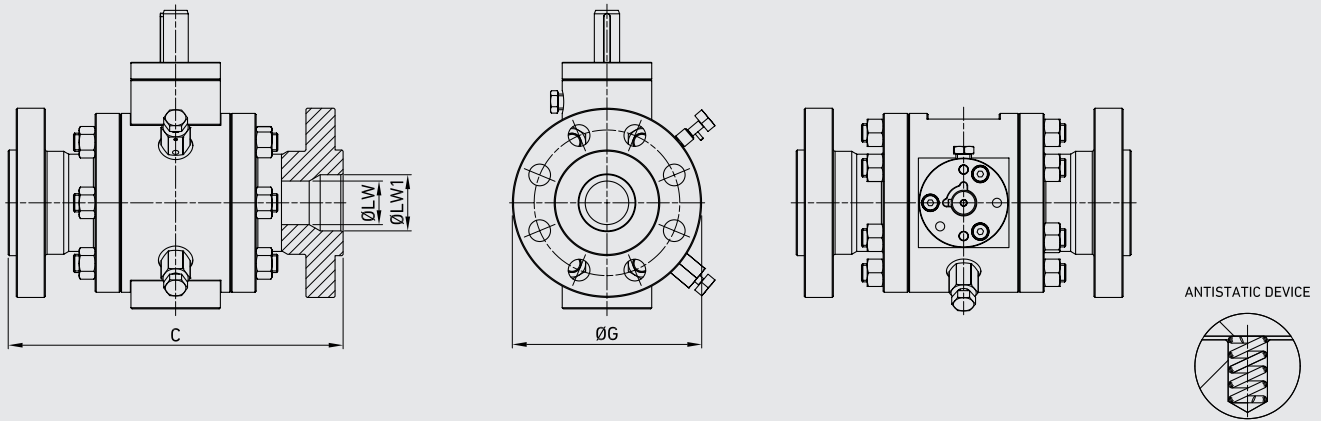
ANTISTATIC DEVICE


**SBT ANSI 900 FB**

TYPE	INCH	PN	ØLW	ØLW1	C RF	C RTJ	ØG
SBT A900	6	MPa 15	mm 150	-	610	613	380
		Psi 2175	inch 5,91	-	24,02	24,13	14,96
SBT A900	8	MPa 15	mm 201	-	737	740	470
		Psi 2175	inch 7,91	-	29,02	29,13	18,50
SBT A900	10	MPa 15	mm 252	-	838	841	545
		Psi 2175	inch 9,92	-	32,99	33,11	21,46
SBT A900	12	MPa 15	mm 303	-	965	968	610
		Psi 2175	inch 11,93	-	37,99	38,11	24,02
SBT A900	14	MPa 15	mm 322	-	1029	1038	641,5
		Psi 2175	inch 12,68	-	40,51	40,87	25,26
SBT A900	16	MPa 15	mm 373	-	1130	1140	705
		Psi 2175	inch 14,69	-	44,49	44,88	27,76
SBT A900	18	MPa 15	mm 423	-	1219	1232	787,5
		Psi 2175	inch 16,65	-	47,99	48,50	31,00
SBT A900	20	MPa 15	mm 471	-	1321	1334	857,5
		Psi 2175	inch 18,54	-	52,01	52,52	33,76
SBT A900	22	MPa 15	mm 522	-	-	-	-
		Psi 2175	inch 20,55	-	-	-	-
SBT A900	24	MPa 15	mm 570	-	1549	1568	1041,5
		Psi 2175	inch 22,44	-	60,98	61,73	41,00
SBT A900	26	MPa 15	mm 619	-	1651	1673	-
		Psi 2175	inch 24,37	-	65,00	65,87	-
SBT A900	28	MPa 15	mm 667	-	1753	1775	-
		Psi 2175	inch 26,26	-	69,02	69,88	-
SBT A900	30	MPa 15	mm 714	-	1880	1902	-
		Psi 2175	inch 28,11	-	74,02	74,88	-
SBT A900	32	MPa 15	mm 762	-	2032	2054	-
		Psi 2175	inch 30,00	-	80,00	80,87	-
SBT A900	34	MPa 15	mm 810	-	2159	2188	-
		Psi 2175	inch 31,89	-	85,00	86,14	-
SBT A900	36	MPa 15	mm 857	-	2286	2315	-
		Psi 2175	inch 33,74	-	90,00	91,14	-

**SBT ANSI 900 RB**

TYPE	INCH	PN	ØLW	ØLW1	C RF	C RTJ	ØG
SBT A900	8x6	MPa 15	mm 150	201	737	740	470
		Psi 2175	inch 5,91	7,91	29,02	29,13	18,50
SBT A900	10x8	MPa 15	mm 201	252	838	841	545
		Psi 2175	inch 7,91	9,92	32,99	33,11	21,46
SBT A900	12x10	MPa 15	mm 252	303	965	968	610
		Psi 2175	inch 9,92	11,93	37,99	38,11	24,02
SBT A900	14x10	MPa 15	mm 252	322	1029	1038	641,5
		Psi 2175	inch 9,92	12,68	40,51	40,87	25,26
SBT A900	16x12	MPa 15	mm 303	373	1130	1140	705
		Psi 2175	inch 11,93	14,69	44,49	44,88	27,76
SBT A900	18x14	MPa 15	mm 322	423	1219	1232	787,5
		Psi 2175	inch 12,68	16,65	47,99	48,50	31,00
SBT A900	20x16	MPa 15	mm 373	471	1321	1334	857,5
		Psi 2175	inch 14,69	18,54	52,01	52,52	33,76
SBT A900	24x20	MPa 15	mm 471	570	1549	1568	1041,5
		Psi 2175	inch 18,54	22,44	60,98	61,73	41,00
SBT A900	28x24	MPa 15	mm 570	665	-	-	-
		Psi 2175	inch 22,44	26,18	-	-	-
SBT A900	30x24	MPa 15	mm 572	714	1880	1902	-
		Psi 2175	inch 22,52	28,11	74,02	74,88	-
SBT A900	36x30	MPa 15	mm 714	857	2286	2315	-
		Psi 2175	inch 28,11	33,74	90,00	91,14	-

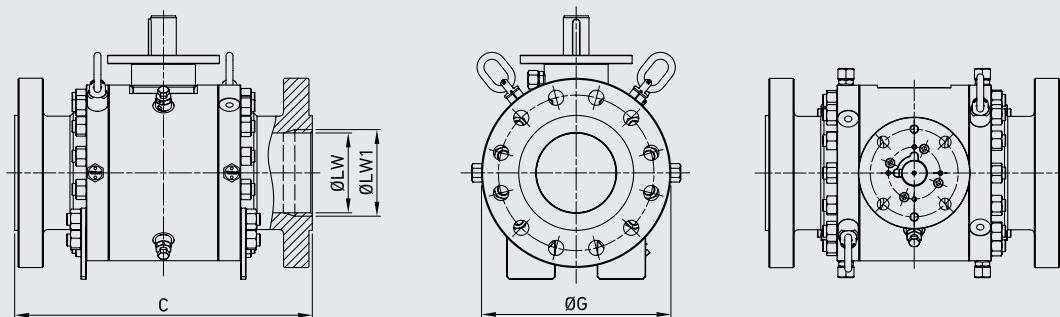


**SBT ANSI 1500 FB**

TYPE	INCH	PN	ØLW	ØLW1	C RF	C RTJ	ØG
SBT A1500	2	MPa 25	mm 49	-	368	371	215
		Psi 3625	inch 1,93	-	14,49	14,61	8,46
SBT A1500	2 1/2	MPa 25	mm 62	-	419	422	245
		Psi 3625	inch 2,44	-	16,50	16,61	9,65
SBT A1500	3	MPa 25	mm 74	-	470	473	265
		Psi 3625	inch 2,91	-	18,50	18,62	10,43
SBT A1500	4	MPa 25	mm 100	-	546	549	310
		Psi 3625	inch 3,94	-	21,50	21,61	12,20

**SBT ANSI 1500 RB**

TYPE	INCH	PN	ØLW	ØLW1	C RF	C RTJ	ØG
SBT A1500	2x1 1/2	MPa 25	mm 38	49	368	371	215
		Psi 3625	inch 1,50	1,93	14,49	14,61	8,46
SBT A1500	3x2	MPa 25	mm 49	74	470	473	265
		Psi 3625	inch 1,93	2,91	18,50	18,62	10,43
SBT A1500	4x3	MPa 25	mm 74	100	546	549	310
		Psi 3625	inch 2,91	3,94	21,50	21,61	12,20
SBT A1500	6x4	MPa 25	mm 100	144	705	711	395
		Psi 3625	inch 3,94	5,67	27,76	27,99	15,55


**ALSO AVAILABLE IN  
FULLY WELDED VERSION**

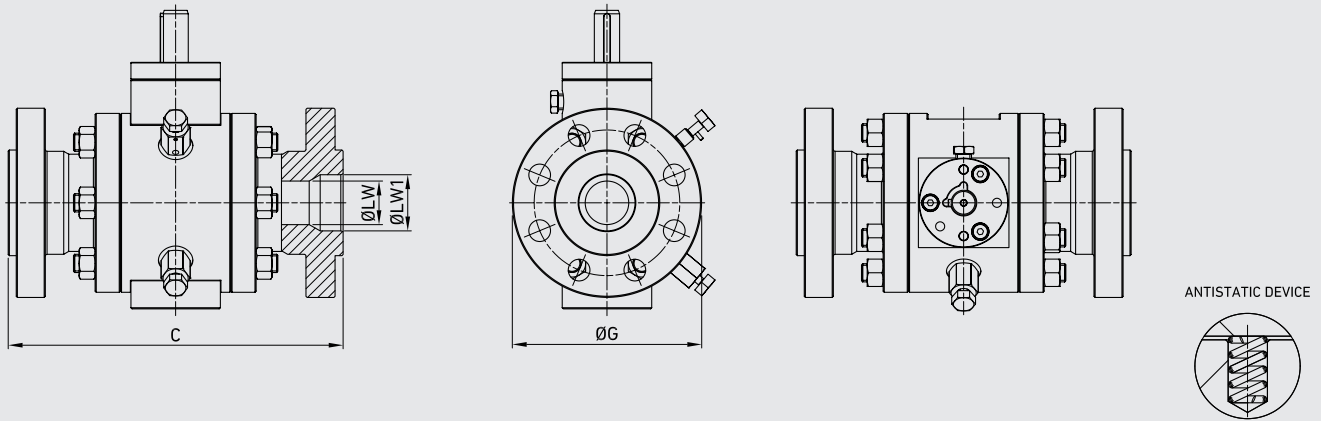
ANTISTATIC DEVICE


**SBT ANSI 1500 FB**

TYPE	INCH	PN	ØLW	ØLW1	C RF	C RTJ	ØG
SBT A1500	6	MPa 25	mm 144	-	705	711	395
		Psi 3625	inch 5,67	-	27,76	27,99	15,55
SBT A1500	8	MPa 25	mm 192	-	832	841	485
		Psi 3625	inch 7,56	-	32,76	33,11	19,09
SBT A1500	10	MPa 25	mm 239	-	991	1000	585
		Psi 3625	inch 9,41	-	39,02	39,37	23,03
SBT A1500	12	MPa 25	mm 287	-	1130	1146	675
		Psi 3625	inch 11,30	-	44,49	45,12	26,57
SBT A1500	14	MPa 25	mm 315	-	1257	1276	749,5
		Psi 3625	inch 12,40	-	49,49	50,24	29,51
SBT A1500	16	MPa 25	mm 360	-	1384	1407	825,5
		Psi 3625	inch 14,17	-	54,49	55,39	32,50
SBT A1500	18	MPa 25	mm 406	-	1537	1559	914,5
		Psi 3625	inch 15,98	-	60,51	61,38	36,00
SBT A1500	20	MPa 25	mm 454	-	1664	1686	984,5
		Psi 3625	inch 17,87	-	65,51	66,38	38,76
SBT A1500	22	MPa 25	mm 500	-	-	-	-
		Psi 3625	inch 19,69	-	-	-	-
SBT A1500	24	MPa 25	mm 546	-	-	1972	1168,5
		Psi 3625	inch 21,50	-	-	77,64	46,00

**SBT ANSI 1500 RB**

TYPE	INCH	PN	ØLW	ØLW1	C RF	C RTJ	ØG
SBT A1500	8x6	MPa 25	mm 144	192	832	841	485
		Psi 3625	inch 5,67	7,56	32,76	33,11	19,09
SBT A1500	10x8	MPa 25	mm 192	239	991	1000	585
		Psi 3625	inch 7,56	9,41	39,02	39,37	23,03
SBT A1500	12x10	MPa 25	mm 239	287	1130	1146	675
		Psi 3625	inch 9,41	11,30	44,49	45,12	26,57
SBT A1500	14x10	MPa 25	mm 239	315	1257	1276	749,5
		Psi 3625	inch 9,41	12,40	49,49	50,24	29,51
SBT A1500	16x12	MPa 25	mm 287	360	1384	1407	825,5
		Psi 3625	inch 11,30	14,17	54,49	55,39	32,50
SBT A1500	18x14	MPa 25	mm 315	406	1537	1559	914,5
		Psi 3625	inch 12,40	15,98	60,51	61,38	36,00
SBT A1500	20x16	MPa 25	mm 360	454	1664	1668	984,5
		Psi 3625	inch 14,17	17,87	65,51	65,67	38,76
SBT A1500	24x20	MPa 25	mm 454	546	-	1972	1168,5
		Psi 3625	inch 17,87	21,50	-	77,64	46,00
SBT A1500	28x24	MPa 25	mm 546	641	-	-	-
		Psi 3625	inch 21,50	25,24	-	-	-
SBT A1500	30x24	MPa 25	mm 546	686	-	-	-
		Psi 3625	inch 21,50	27,01	-	-	-

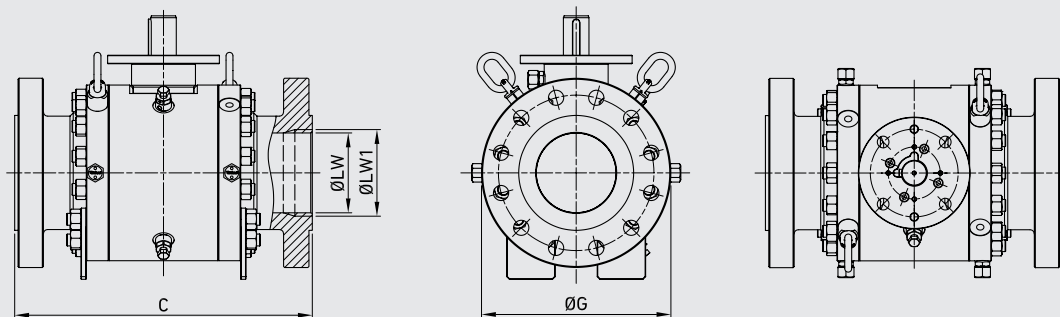


**SBT ANSI 2500 FB**

TYPE	INCH	PN	ØLW	ØLW1	C RF	C RTJ	ØG
SBT A2500	2	MPa 42	mm 42	-	451	454	235
		Psi 6090	inch 1,65	-	17,76	17,87	9,25
SBT A2500	2 1/2	MPa 42	mm 52	-	508	514	265
		Psi 6090	inch 2,05	-	20,00	20,24	10,43
SBT A2500	3	MPa 42	mm 62	-	578	584	305
		Psi 6090	inch 2,44	-	22,76	22,99	12,01
SBT A2500	4	MPa 42	mm 87	-	673	683	355
		Psi 6090	inch 3,43	-	26,50	26,89	13,98

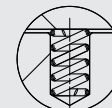
**SBT ANSI 2500 RB**

TYPE	INCH	PN	ØLW	ØLW1	C RF	C RTJ	ØG
SBT A2500	2x1 1/2	MPa 42	mm 38	42	451	454	235
		Psi 6090	inch 1,50	1,65	17,76	17,87	9,25
SBT A2500	3x2	MPa 42	mm 42	62	578	584	305
		Psi 6090	inch 1,65	2,44	22,76	22,99	12,01
SBT A2500	4x3	MPa 42	mm 62	87	673	683	355
		Psi 6090	inch 2,44	3,43	26,50	26,89	13,98
SBT A2500	6x4	MPa 42	mm 87	131	914	927	485
		Psi 6090	inch 3,43	5,16	35,98	36,50	19,09



**ALSO AVAILABLE IN  
FULLY WELDED VERSION**

ANTISTATIC DEVICE



### SBT ANSI 2500 FB

TYPE	INCH	PN	ØLW	ØLW1	C RF	C RTJ	ØG
SBT A2500	6	MPa 42	mm 131	-	914	927	485
		Psi 6090	inch 5,16	-	35,98	36,50	19,09
SBT A2500	8	MPa 42	mm 179	-	1022	1038	550
		Psi 6090	inch 7,05	-	40,24	40,87	21,65
SBT A2500	10	MPa 42	mm 223	-	1270	1294	675
		Psi 6090	inch 8,78	-	50,00	50,94	26,57
SBT A2500	12	MPa 42	mm 265	-	1422	1445	760
		Psi 6090	inch 10,43	-	55,98	56,89	29,92
SBT A2500	14	MPa 42	mm 292	-	-	-	-
		Psi 6090	inch 11,50	-	-	-	-
SBT A2500	16	MPa 42	mm 333	-	-	-	-
		Psi 6090	inch 13,11	-	-	-	-
SBT A2500	18	MPa 42	mm 374	-	-	-	-
		Psi 6090	inch 14,72	-	-	-	-
SBT A2500	20	MPa 42	mm 419	-	-	-	-
		Psi 6090	inch 16,50	-	-	-	-

### SBT ANSI 2500 RB

TYPE	INCH	PN	ØLW	ØLW1	C RF	C RTJ	ØG
SBT A2500	8x6	MPa 42	mm 131	179	1022	1038	550
		Psi 6090	inch 5,16	7,05	40,24	40,87	21,65
SBT A2500	10x8	MPa 42	mm 179	223	1270	1292	675
		Psi 6090	inch 7,05	8,78	50,00	50,87	26,57
SBT A2500	12x10	MPa 42	mm 223	265	1422	1445	760
		Psi 6090	inch 8,78	10,43	55,98	56,89	29,92
SBT A2500	14x10	MPa 42	mm 223	292	-	-	-
		Psi 6090	inch 8,78	11,50	-	-	-
SBT A2500	16x12	MPa 42	mm 265	333	-	-	-
		Psi 6090	inch 10,43	13,11	-	-	-
SBT A2500	18x14	MPa 42	mm 292	374	-	-	-
		Psi 6090	inch 11,50	14,72	-	-	-
SBT A2500	20x16	MPa 42	mm 333	419	-	-	-
		Psi 6090	inch 13,11	16,50	-	-	-