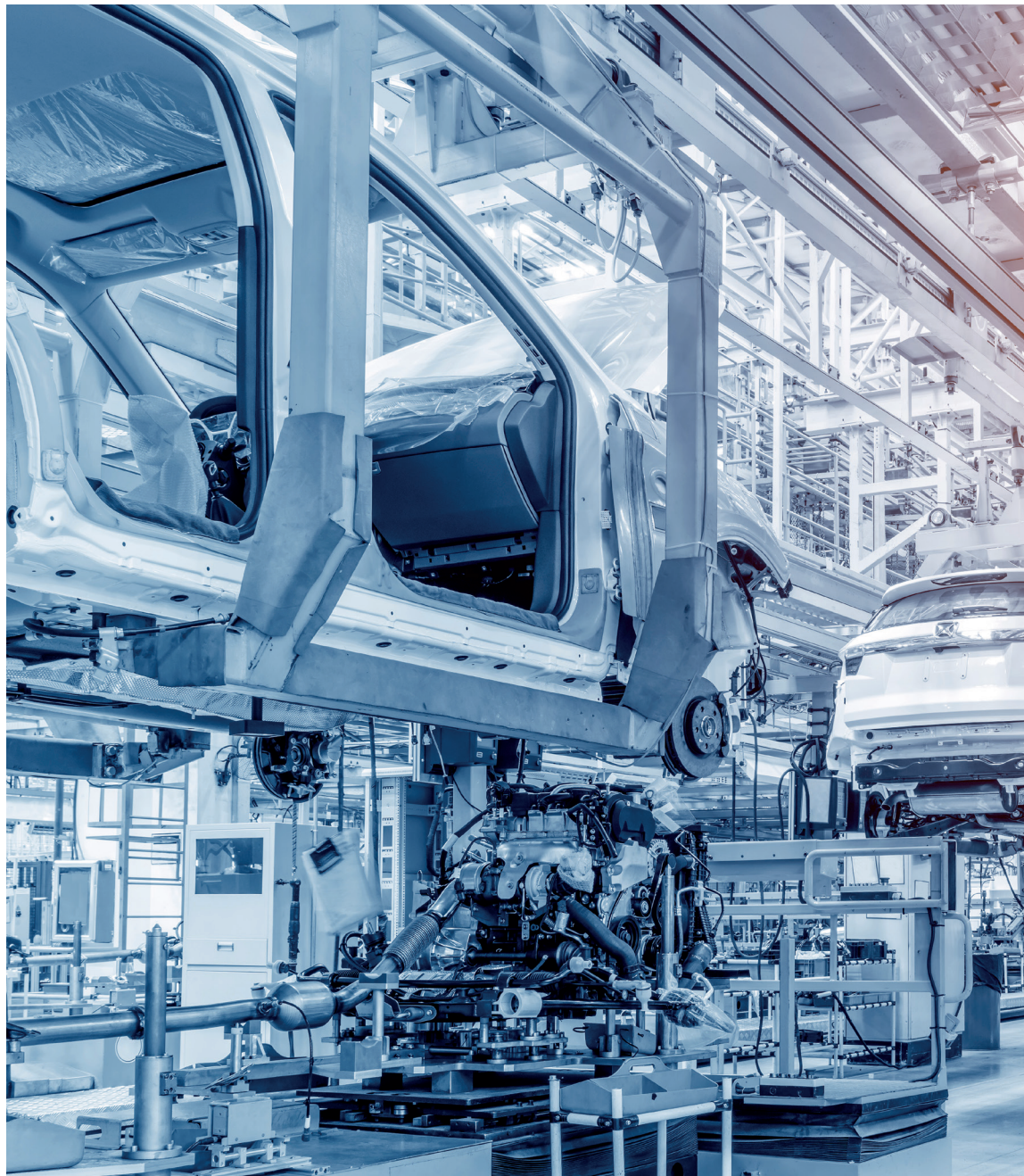


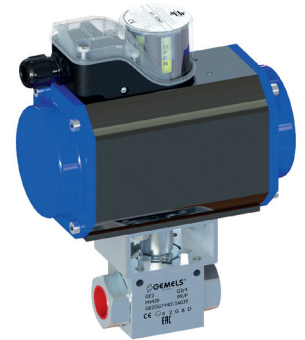
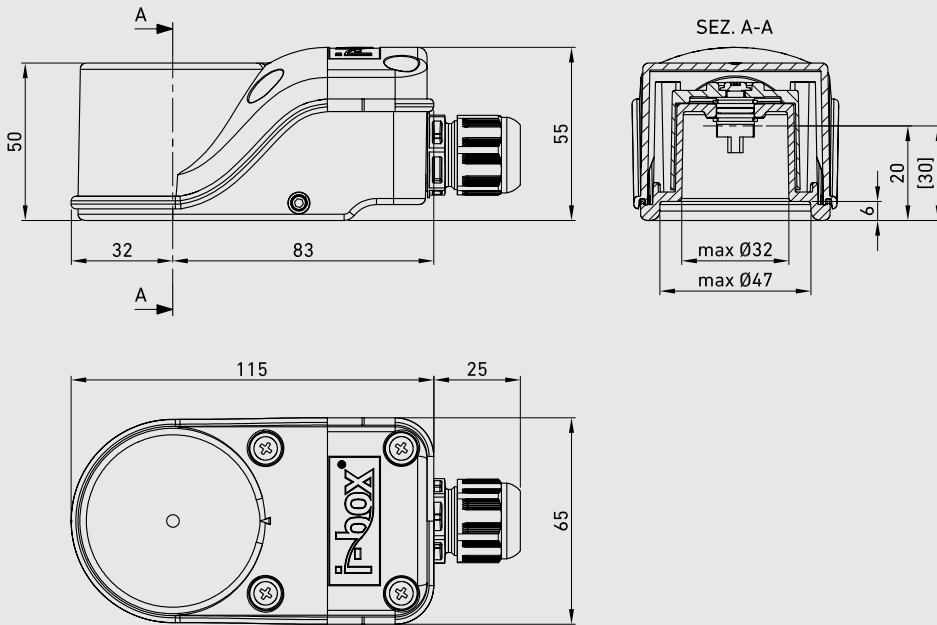


# LIMIT SWITCH

Edition. 21.3

ACTUATED /  
MANUAL  
VALVES



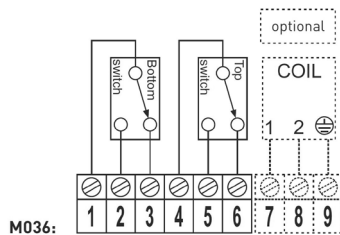


IP

CODE	DESCRIPTION	HOLES
FA1AAAAA010AA0H	Limit switch IP2M01	80x30

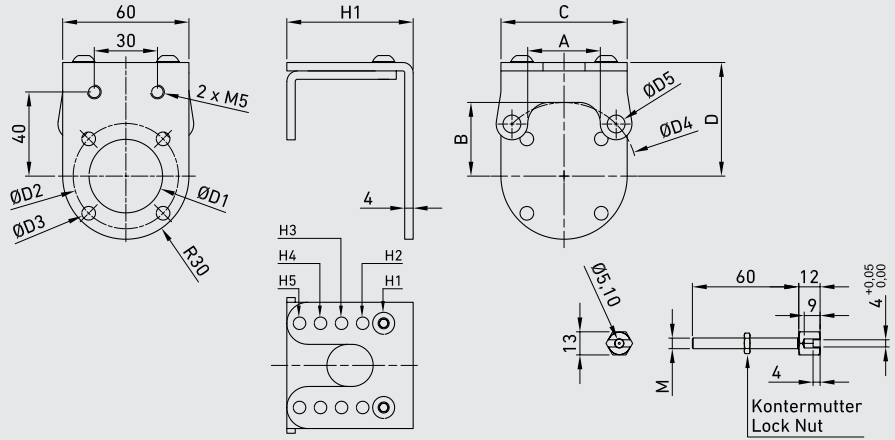
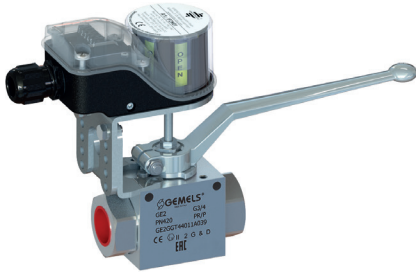
DESCRIPTION

- Very compact limit switch box polyamide PA6
- Transparent polycarbonate cover with integrated large OPEN-CLOSED indicator (Optional 2D indicator for L- or T-bores)
- Direct mounting without mounting bracket on actuators according to VDI/VDE 3845: Hole spacing: 80 x 30mm Shaft heights: 20
- Easy and time-saving fastening system
- Enclosure IP66 + IP67 according to DIN EN 60529
- (tested by external test laboratory)
- Cable gland M20x1,5 black (for cable Ø 6-12mm)
- Sealings TPE and NBR, Screws AISI 304, Stainless steel Shaft AISI 303
- Application: Standard applications without explosive atmosphere.
  - 1-2 mechanical switches
  - 1-2 proximity sensors in V3 design
- Atex available on request



LIMIT SWITCH

KITS



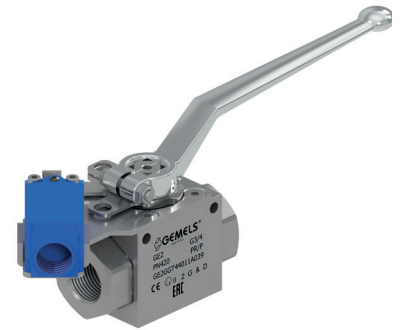
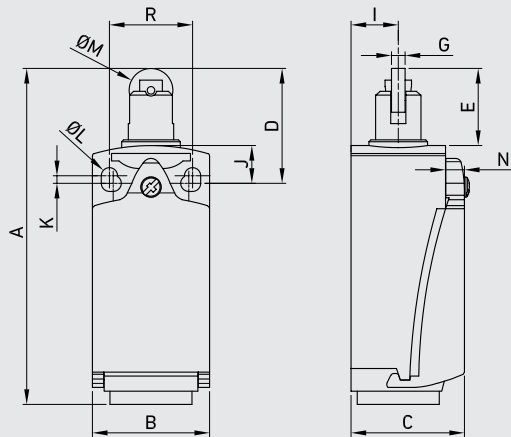
IP

CODE	BALL VALVES	DN
K07A0018421000H	GE-GPK-G3K/G4K	DN6 DN10 DN13
K07A0018121000H	GE-GPK-G3K/G4K	DN20
K07A0018121000H	GE-GPK	DN25
K07A0019521000H	GB-GPK	DN32 DN40 DN50

QUOTE		K07A0018421000H	K07A0018121000H
A	mm	16	24,36
	inch	0,63	0,96
B	mm	20	15
	inch	0,79	0,59
C	mm	60	60
	inch	2,36	2,36
D	mm	54	54
	inch	2,13	2,13
D1	mm	35,5	35,5
	inch	1,40	1,40
D2	mm	50	50
	inch	1,97	1,97
D3	mm	6,5	6,5
	inch	0,26	0,26
D4	mm	36	50
	inch	1,42	1,97
D5	mm	5,3	6,5
	inch	0,21	0,26
H1	mm	60	60
	inch	2,36	2,36
H2	mm	70	70
	inch	2,76	2,76
H3	mm	80	80
	inch	3,15	3,15
H4	mm	90	90
	inch	3,54	3,54
H5	mm	100	100
	inch	3,94	3,94

DESCRIPTION

- This mounting kit helps you to add a position feedback in form of a limit switch box to your manual valve. The mounting kit includes the following parts:
- Upper part with F05 flange and hole spacing 80x30mm e.g. for i-box assembly
- Bottom part matching the ISO top flange of the valve (F03-F05)
- Drive screw (M4-M6-M8), length: 60mm
- Lock nut for height fixation
- All parts stainless steel AISI 304 or AISI 303



## OSISWITCH METAL

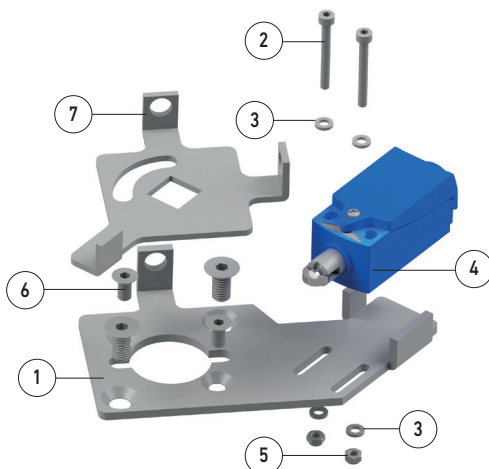
CODE	DESCRIPTION	A	B	C	D	E	F	G	H	J	K	L	M	N	WEIGHT	ITEM CODE
FAEJ3H140170HH	AC 15 240V 3A ITH 10A	mm 99,5	31	30	30	20,6	12,5	3	22	9,41	1,91	2	5,8	5	kg 5,2	FAEJ3H140170HH
		inch 3,92	1,22	1,18	1,18	0,81	0,49	0,12	0,87	0,37	0,08	0,08	0,23	0,20	lb 11,46	

### DESCRIPTION

- Ambient air temperature:  
- operation: -25°C to +70°C - storage: -40°C to +70°C
- Vibration resistance: conforming to IEC 60068-2-6
- Shock resistance: conforming to IEC 60068-2-27
- Electric shock protection:  
• Class II conforming to IEC 61140 and NF C 20-030 for XCKP and XCKT  
• Class I conforming to IEC 61140 and NF C 20-030 for XCKD
- Degree of protection: IP66 and IP67 conforming to IEC 60529; IK4 conforming to EN50102 for XCKP and XCKT, IK06 conforming to EN50102 for XCKD
- Repeat accuracy: 0,1mm on the tripping points, with 1 million operating cycles for head with end plunger
- Material: metal

### LIMIT SWITCH OSISWITCH METAL KITS

CODE	BALL VALVES	DN
KOM00LS6EHH	GE - GV	DN6 DN10 DN13
KOM00LS6NHH	GN	DN6 DN10 DN13
KOM00LS20EHH	GE - GV	DN20 DN25
KOM00LS20NHH	GN	DN20 DN25
KOM00LS32BHH	GB - GV	DN32 DN40 DN50
KOM00LS32NHH	GN	DN32 DN40 DN50



POS	DESCRIPTION	Q.TY
1	Lower bracket	1
2	T.C.E.I. screw	2
3	Washer	4
4	Limit switch compact metal	1
5	Stem	2
6	Bonnet	4
7	Cover Plate	1

### UNIVERSAL, XCKD METAL



- XCKD with 1 cable entry**  
Conforming to CENELEC EN 50047
- XCKD with head for linear movement (plunger)**  
Mounting by the head or by the body

#### Environment characteristics

Conforming to standards	Products Machine assemblies	IEC 60947-5-1, EN 60947-5-1, UL 508, CSA C22-2 n° 14 IEC 60204-1, EN 60204-1
Product certifications		UL, CSA, CCC
Protective treatment	Standard version	"TC"
Ambient air temperature	Operation	-25 ... +70 °C (-13 ... +158 °F)
	Storage	-40 ... +70 °C (-40 ... +158 °F)
Vibration resistance	Conforming to IEC 60068-2-6	25 gn (10 ... 500 Hz) except switch with head ZCE 24: 20 gn
Shock resistance	Conforming to IEC 60068-2-27	50 gn (11 ms) except heads ZCE08: 15 gn (11 ms) and ZCE24: 30 gn (18 ms)
Electric shock protection		Class I conforming to IEC 61140 and NF C 20-030 for <b>XCKD</b>
Degree of protection		IP 66 and IP 67 conforming to IEC 60529; IK 06 conforming to EN 50102 for XCKD
Repeat accuracy		0.1 mm on the tripping points, with 1 million operating cycles for head with end plunger
Cable entry or integral connector	Depending on model	Either: tapped entry for PG 11 or PG 13 conduit thread, tapped ISO M16 x 1.5 or ISO M20 x 1.5, tapped 1/2" NPT, tapped PF 1/2 (G1/2) or integral M12 connector
Materials		<b>XCKD</b> : Zamak® bodies and heads



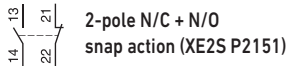
UNIVERSAL, XCKD-COMPLETE UNITS WITH 1/2" NPT CABLE ENTRY

Type of head	Plunger (mounting by the body)
--------------	--------------------------------

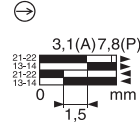
Form C (1)



Type of operator	Steel roller plunger
Catalog Numbers (2) (3)	



XCKD2102N12



Characteristics		
Switch actuation	On end	By 30° cam

Type of actuation

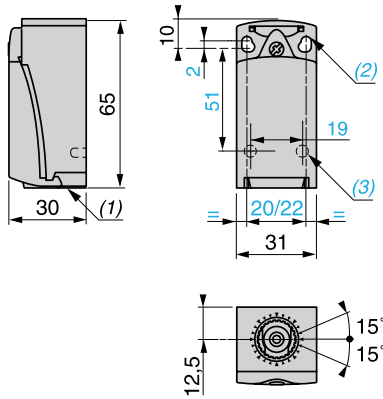


Maximum actuation speed	0.5 m/s (1.64 ft/s)	
Minimum force or torque	Far tripping	15 N (3.37 lb)
	For positive opening	45 N (10.12 lb)
Cable entry (3)	1 entry tapped M16 x 1.5 mm for ISO cable entry, clamping capacity 4 to 8 mm (0.16 to 0.31 in.)	

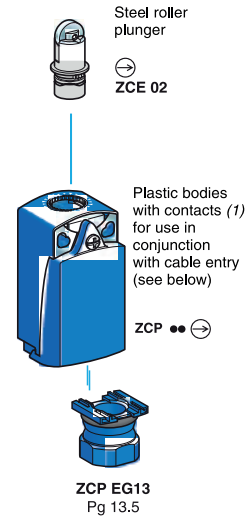
1. Form conforming to EN 50047, contact our customer service.
2. Switches with gold contacts or ring type connections: please consult your local sales office.
3. For any entry tapped for a PG 11 conduit thread, replace N12 in the catalog number G1. Examples: XCKD2110N12 becomes XCXD2110G11, ZCDEN12 becomes ZCDEG11.

UNIVERSAL, XCKD-COMPLETE UNITS WITH 1/2" NPT CABLE ENTRY

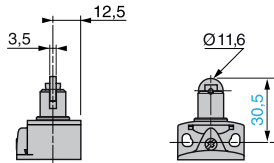
ZCD2• + ZCDEN12 / ZCD3• + ZCDEN12



UNIVERSAL, XCKD



ZCE02



1. Tapped entry for ISO M16 x 1.5 or PG 11 conduit thread.
2. 2 elongated holes Ø 4.3 x 6.3 mm (0.17 x 0.25 in.) on 22 mm (0.87 in.) centers, 2 holes Ø 4.3 mm (0.17 in.) on 20 mm (0.79 in.) centers.
3. 2 x Ø 3 holes for support studs, depth 4 mm (0.16 in.).
4. Mounting nut thickness 3.5 mm (0.14 in.).

1. For further details, contact our customer service.
2. Cannot be used on bodies: ZCD21, ZCP21, ZCT21, ZCD29, ZCP29, ZCD31, ZCP31, ZCD39, ZCP39, ZCD2•M12, ZCP2•M12