



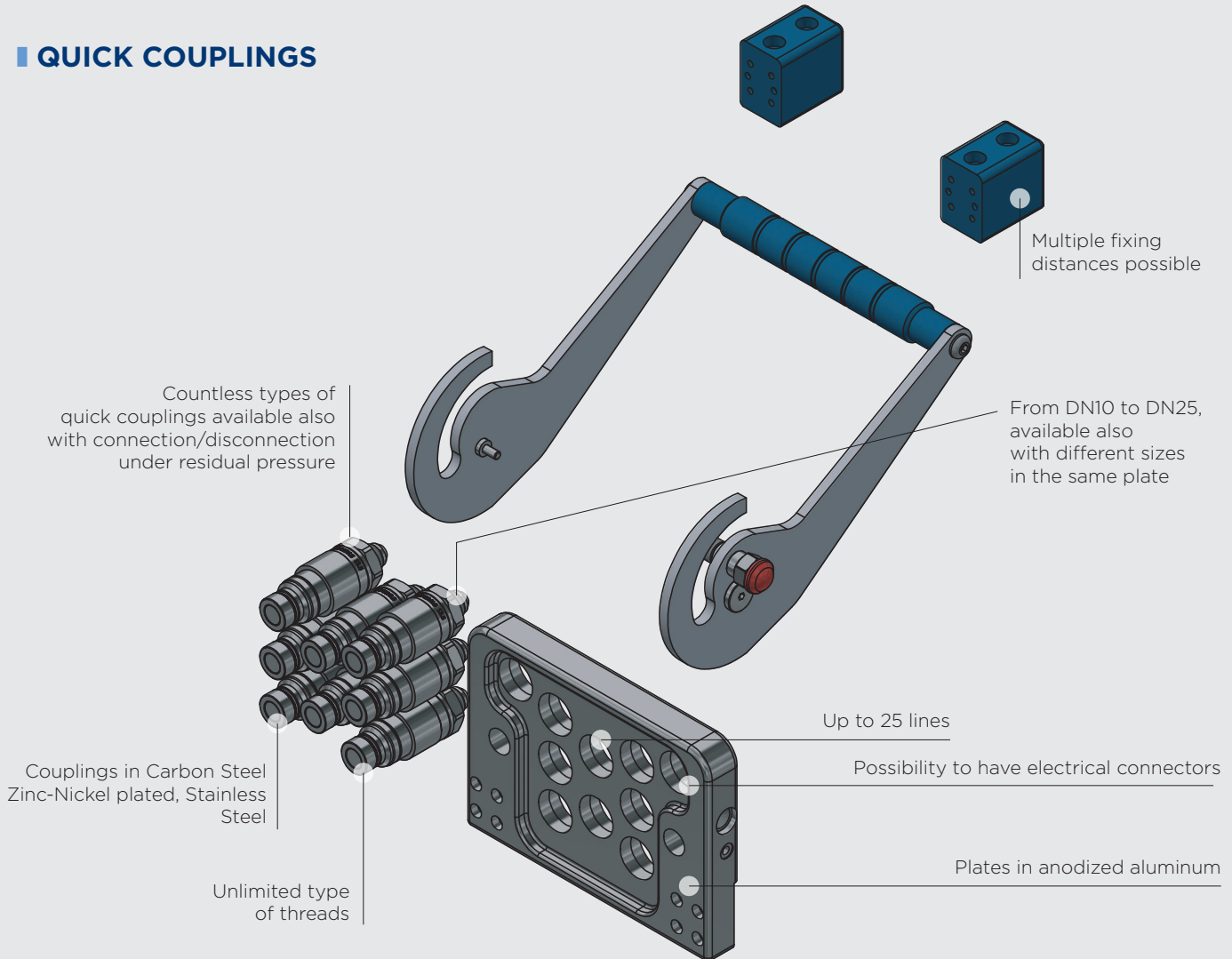
MULTI COUPLINGS

Edition. 21.1



Gemels MULTI COUPLINGS allow connection and disconnection of many hydraulic, electrical and pneumatic lines. They are studied to save time of the operators, reduce spaces and contamination of circuits. In addition, facilitate movements and guarantee lower maintenance. The system can have flat face couplings designed for different application.



QUICK COUPLINGS

QUICK COUPLINGS PLATE MOUNTING

FFAP - PLATE CONNECTION

Application: Excavator/Earth Moving

Size: from DN10 to DN25

Page: 84


MGW AP - Quick couplings flat face connection under pressure for plate mounting

Application: Agriculture/Industrial

Size: from DN10 to DN25

Page: 102


MGW - Quick couplings flat face for plate mounting

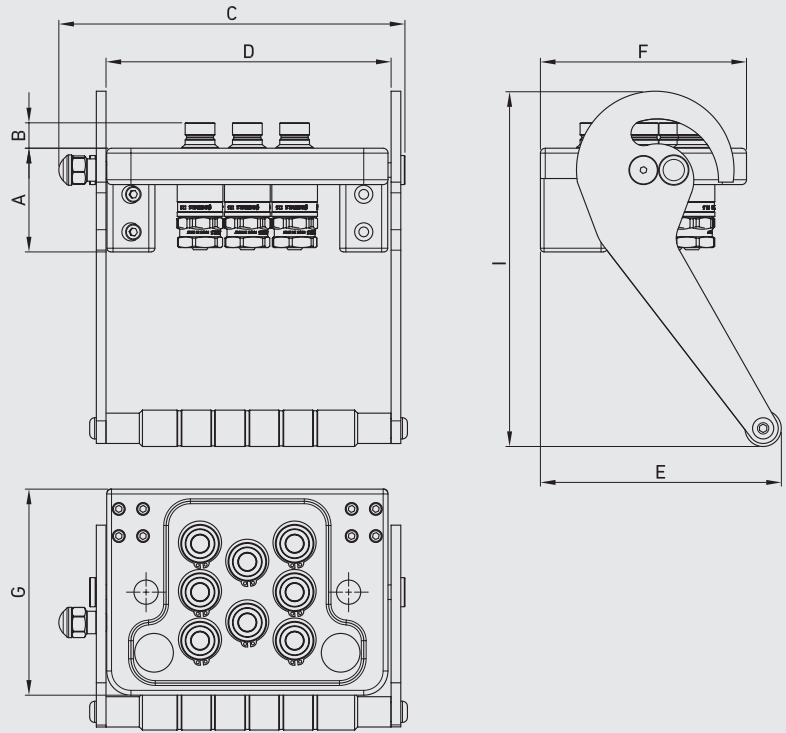
Application: Industrial/Cooling

Size: from DN13

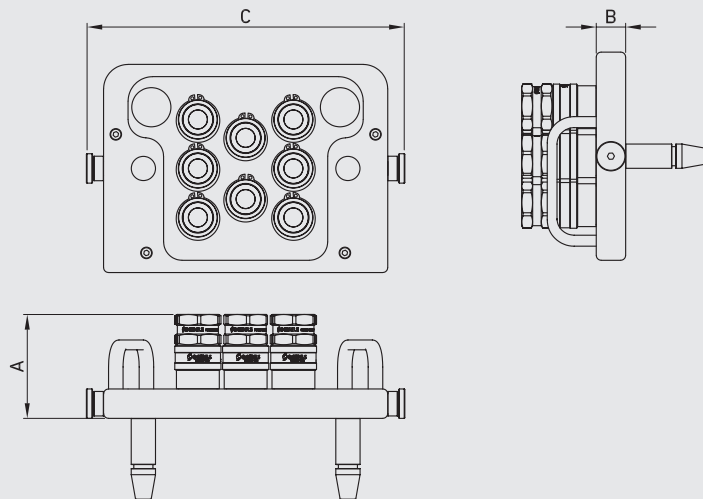
Page: 94

MULTI COUPLINGS

HYDRAULIC QUICK COUPLINGS

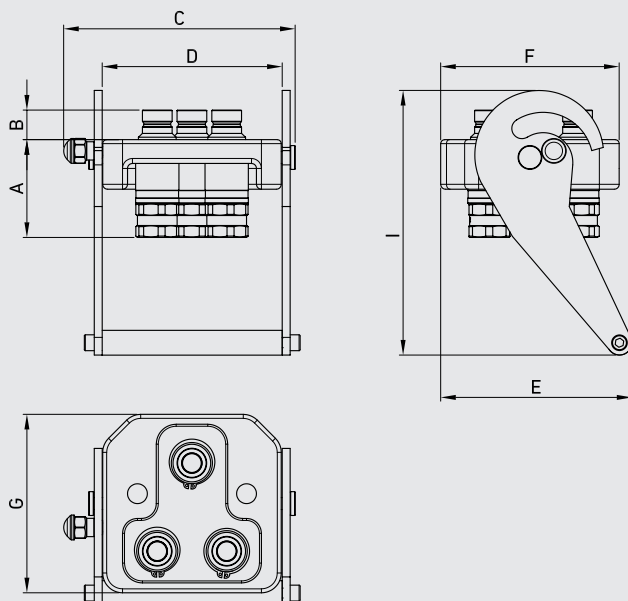


TYPE	DN	A	C	D	G	B	F	I	E	WEIGHT	
MULTI COUPLINGS n.8 MGW AP MALE	12,5	mm	85,5	283	232	170	21	160	292	193	kg 10,6
		inch	3,37	11,14	9,13	6,69	0,83	6,30	11,50	7,60	lb 23,37



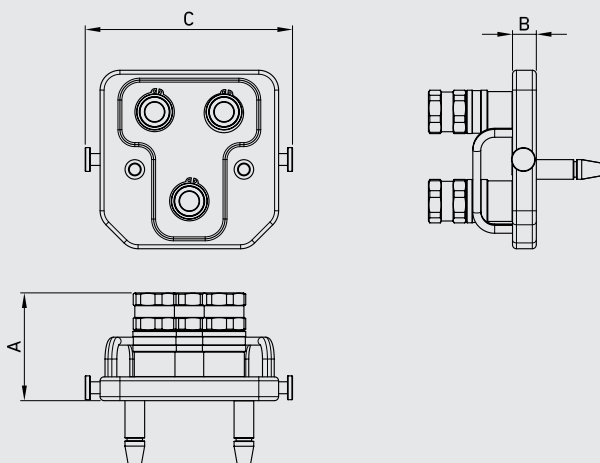
TYPE	DN	A	C	B	WEIGHT	
MULTI COUPLINGS n.8 MGW AP FEMALE	12,5	mm	87	260	24	kg 5,9
		inch	3,43	10,24	0,94	lb 13,01





For further technical details
please contact us
at gemels@gemels.it.

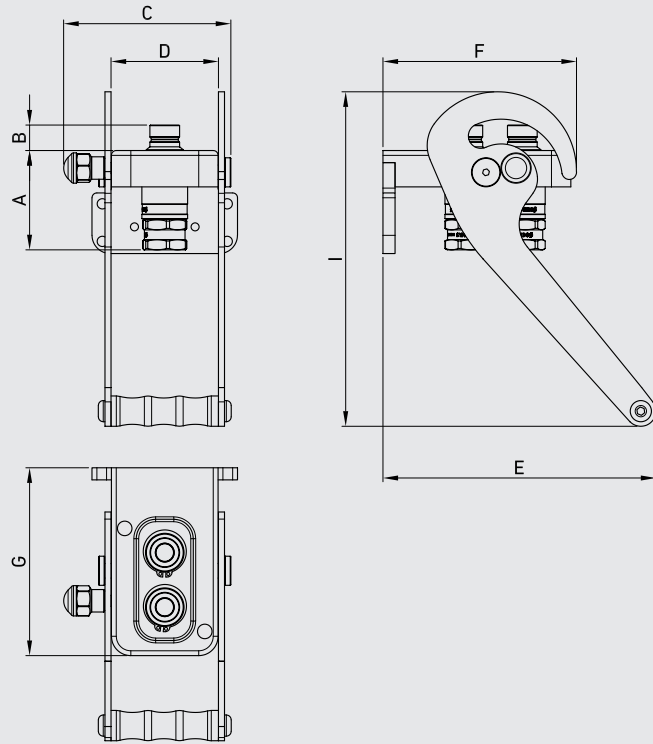
TYPE	DN	A	C	D	G	B	F	I	E	WEIGHT	
MULTI COUPLINGS n.3 MGW AP MALE	19	mm	98	232	185	180	30	160	260	193	kg 7,8
		inch	3,86	9,13	7,28	7,09	1,18	6,30	10,24	7,60	lb 17,20



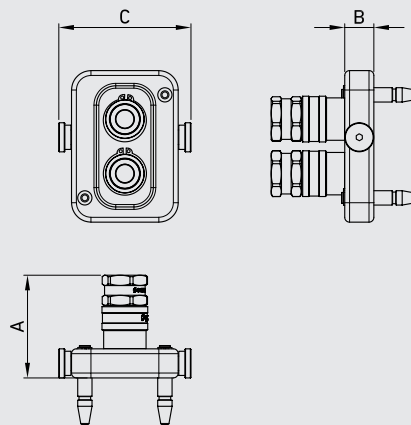
TYPE	DN	A	C	B	WEIGHT	
MULTI COUPLINGS n.3 MGW AP FEMALE	12,5	mm	109	207	24	kg 4
		inch	4,29	8,15	0,94	lb 8,82

MULTI COUPLINGS

HYDRAULIC QUICK COUPLINGS

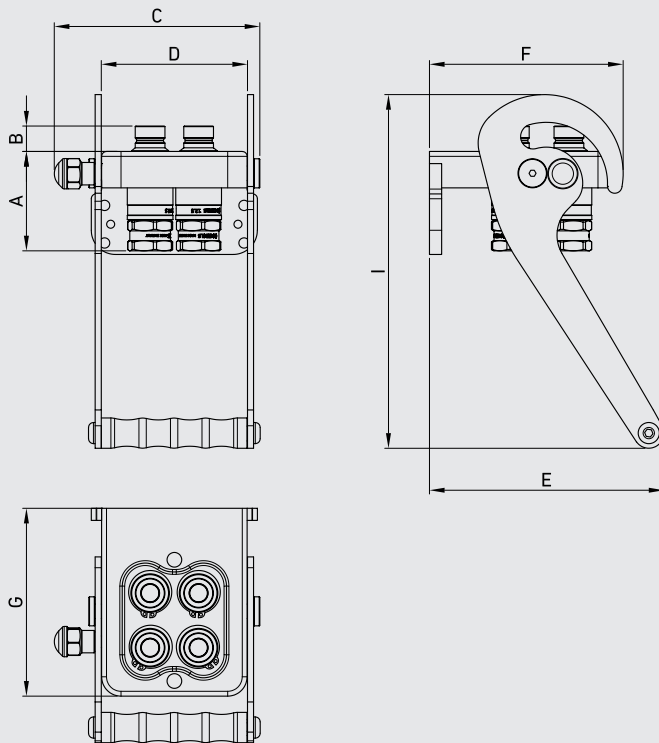


TYPE	DN	A	C	D	G	B	F	I	E	WEIGHT	
MULTI COUPLINGS n.2 MGW AP MALE	12,5	mm	82	138	89	155	21	160	292	193	kg 3,4
		inch	3,23	5,43	3,50	6,10	0,83	6,30	11,50	7,60	lb 7,50



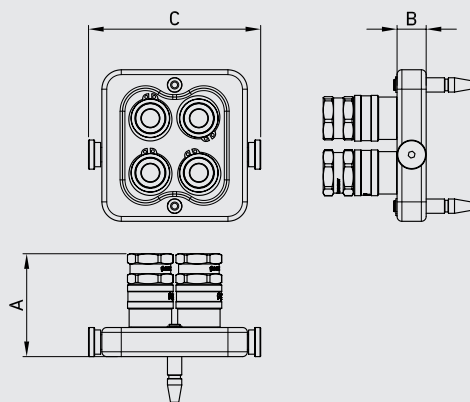
TYPE	DN	A	C	B	WEIGHT	
MULTI COUPLINGS n.2 MGW AP FEMALE	12,5	mm	85	109	24	kg 2,5
		inch	3,35	4,29	0,94	lb 5,51





For further technical details
please contact us
at gemels@gemels.it.

TYPE	DN	A	C	D	G	B	F	I	E	WEIGHT	
MULTI COUPLINGS n.4 MGW AP MALE	12,5	mm	82	169,6	120,6	155	21	160	292	193	kg 5,4
		inch	3,23	6,68	4,75	6,10	0,83	6,30	11,50	7,60	lb 11,90



TYPE	DN	A	C	B	WEIGHT	
MULTI COUPLINGS n.4 MGW AP FEMALE	12,5	mm	85	141	24	kg 3,78
		inch	3,35	5,55	0,94	lb 8,33